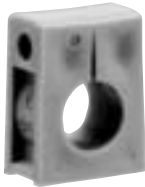


Holder for Speed Controller

Series *TMH*

A holder for securing a speed controller (In-line type) with One-touch fitting.

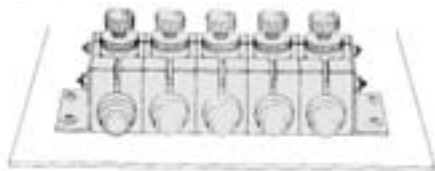
Universal mounting



The holder can be used to secure an individual part.



Adaptable for the manifold application. Note 1)



Note 1) Mounting bracket is not available. This is an application example.

Note 2) When using a manifold, because of the cumulative absorption of dimensional variation, please use long holes for the bracket mounting holes on one side.

Can be mounted on the panel.



Specifications

Ambient temperature	-20 to 60°C
Material	Polypropylene
Color	White

Accessory: Round head Phillips screw for mounting (nickel plated)

Model		Size (Nominal x Height)	Piece
Metric size	Inch size		
TMH-23J	TMH-01J	M3 x 15	1
TMH-04J	TMH-03J		
TMH-06J	TMH-05	M3 x 20	
	TMH-07J		
TMH-06	TMH-07	M4 x 25	
TMH-08	TMH-09		
TMH-10	TMH-11	M4 x 35	
TMH-12	TMH-13		

Series

Select the applicable holder/TMH for each speed controller from the table below.

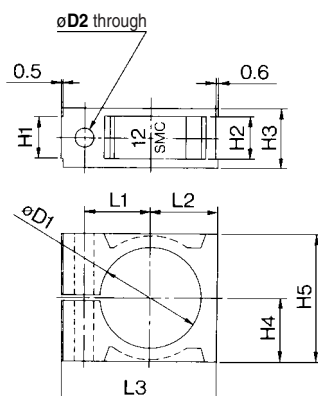
Metric Size

Applicable series	Applicable tubing size	Applicable tubing					
		23 ø3.2	04 ø4	06 ø6	08 ø8	10 ø10	12 ø12
AS1001F	TMH-23J		TMH-04J	TMH-06J			
AS2001F							
AS2051F				TMH-06	TMH-08		
AS3001F						TMH-10	TMH-12
AS4001F							

Inch Size

Applicable series	Applicable tubing size	Applicable tubing						
		01 ø1/8"	03 ø5/32"	05 ø3/16"	07 ø1/4"	09 ø5/16"	11 ø3/8"	13 ø1/2"
AS1001F	TMH-01J		TMH-03J	TMH-05	TMH-07J			
AS2001F					TMH-07			
AS2051F						TMH-09		
AS3001F							TMH-11	
AS4001F								TMH-13

Dimensions



Model		øD1	øD2	H1	H2	H3	H4	H5	L1	L2	L3	Symbol
Metric size	Inch size											
TMH-23J	TMH-01J	8.5	3.3	4.5	4.6	7.5	6	12	7.2	6.6	18	1/8J
TMH-04J	TMH-03J	9.4										4 5/32J
—	TMH-05	11.7										3/16
TMH-06J	—	11.7	3.3	6.3	6.4	9.3	7.7	15.4	8.5	8.3	21	6J
—	TMH-07J	12.1										1/4J
TMH-06	—	13.1										6
—	TMH-07	13.5	4.3	7.1	7.2	11.1	10	20	11	10.6	26.5	1/4
TMH-08	TMH-09	15.5										8 5/16
TMH-10	—	18.8										10
—	TMH-11	18.2	4.3	9.5	9.6	13.5	14	28	14.2	14.6	34	3/8
TMH-12	—	21.2										12
—	TMH-13	22										1/2

AS
ASP
ASN
AQ
ASV
AK
VCHC
ASS
ASR
ASQ
KE
TMH