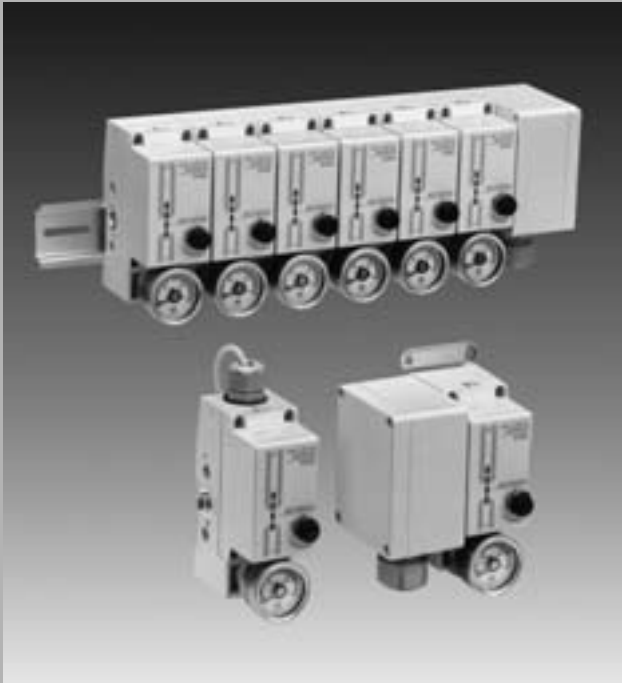


Air Catch Sensor

Series ISA

For Workpiece Placement Confirmation



No-contact sensor for confirming workpiece placement, with a configuration that is less affected by supply pressure change.

ZSE
ISE

ZSP

PS

ISA

PSE

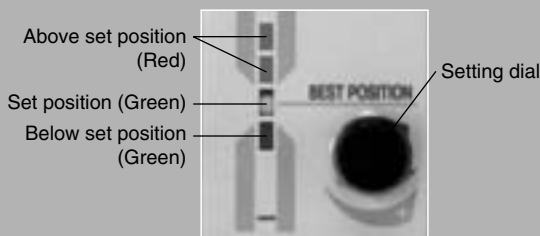
IS

ISG

ZSM

Easy-to-set-up LED level meter

Proper set position is steadily and easily set due to the LED level meter and setting dial.



Compliant with manifolds of up to 6 stations

Compliant with centralized wiring and piping

Free mounting position

Stable detection is available at any mounting position due to the pressure sensor.

Wide adjustment range

Compliant between 10 and 300 μm

Stably detects 10 μm clearance

The configuration is unlikely to be affected by supply pressure change due to the air pressure bridge circuit and semi-conductor pressure sensor.

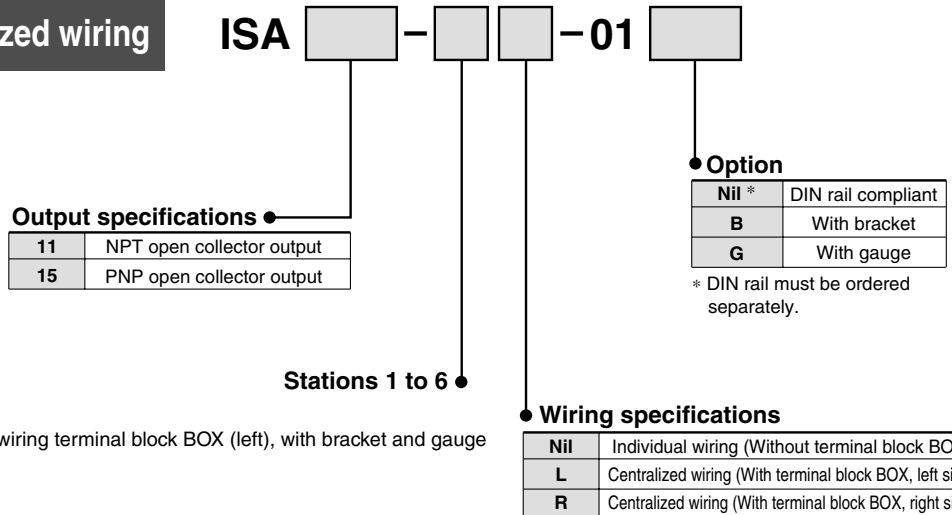
IP66-compliant

Dustproof and dripproof type

Air Catch Sensor Series ISA

How to Order

Individual wiring/Centralized wiring



Ex. 1) NPN output, 4 stations, centralized wiring terminal block BOX (left), with bracket and gauge

ISA11-4L-01BG

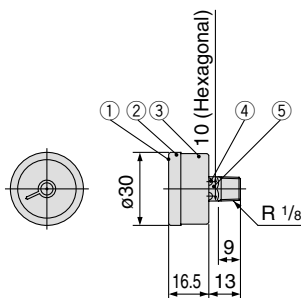
Ex. 2) PNP output, individual wiring, with gauge

ISA15-1-01G

Accessory

- Bracket: ISA-1-A
- Gauge: G33-3-01
- DIN rail: ISA-2-1 to 7

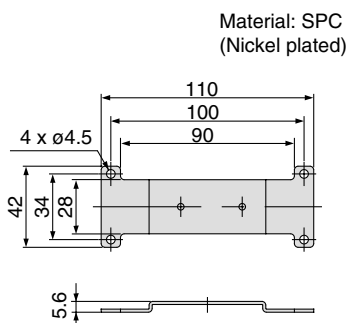
- Gauge: G33-3-01



Description

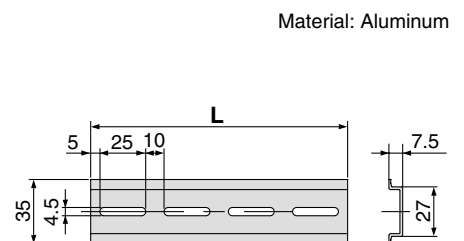
No.	Description	Material
1	Cover glass	glass
2	Outer frame	Stainless steel
3	Inner frame	Stainless steel
4	Round head Phillips screw	Stainless steel
5	Socket	Brass

- Bracket: ISA-1-A



* Each part order comes with two M3 x 8 tapping screws.

- DIN rail: ISA-2-1 to 7

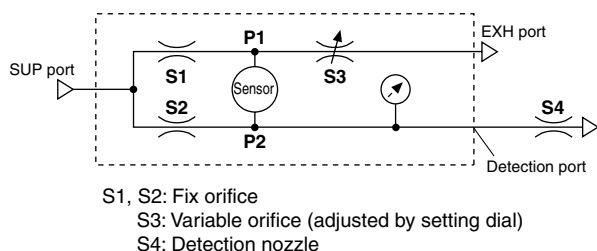


Part no.	L	Applicable model
ISA-2-1	105	ISA□-1
ISA-2-2	140	ISA□-2 · ISA□-1 _R ^L
ISA-2-3	175	ISA□-3 · ISA□-2 _R ^L
ISA-2-4	210	ISA□-4 · ISA□-3 _R ^L
ISA-2-5	245	ISA□-5 · ISA□-4 _R ^L
ISA-2-6	280	ISA□-6 · ISA□-5 _R ^L
ISA-2-7	315	ISA□-6 _R ^L

Specifications

Fluid		Dry air (filtered to 5 μm)
Operating pressure range		0.05 to 0.2 MPa
Recommended pressure range		0.1 to 0.2 MPa
Detection distance range		10 to 300 μm
Repeatability including temperature characteristics		±10 μm (0 to 60°C (standard 25°C))
Hysteresis		10 μm or less (Detection distance: 10 to 150 μm)
Detection nozzle O.D.		ø1.0 standard (Refer to page 820 for data when the nozzle diameter is modified.)
Display function		Operating indicator light (Lights ON), Deviation level indicator light
Power supply voltage		12 to 24 VDC ±10%, Ripple (p-p) 10% or less (With power supply polarity protection)
Current consumption		30 mA or less (Output ON, All LEDs ON)
Switch output	ISA11	NPN open collector: 30 V, 80 mA or less
	ISA15	PNP open collector: 80 mA or less
Operating temperature range		0 to 60°C (No condensation)
Operating humidity range		35 to 85 % RH (No condensation)
Noise resistance		1000 Vp-p, Pulse width 1 μs, Rise time 1 ns
Withstand voltage		1000 VAC in 50/60 Hz for 1 minute between live parts and case
Insulation resistance		2 MΩ or more between live parts and case (at 500 VDC by megameter)
Vibration resistance		1.5 mm amplitude in 10 to 500Hz or acceleration of 98 m/s ² , whichever is smaller for 2 hours in X, Y, Z direction each (De-energized)
Impact resistance		980 m/s ² in X, Y and Z direction, 3 times each (De-energized)
Lead wire		Oil-resistant vinyl cabtire code (3 cores, ø3.4, 5 m), Cross section: 0.2 mm ² , Insulator O.D.: 1.1 mm
Mass		250 g (including gauge and 5-m lead wire)
Port size		Rc 1/8
Enclosure		IP66 (Dustproof and dripproof type)
Air consumption	Supply pressure	
	0.10 MPa	16 ℓ/min or less
	0.15 MPa	21 ℓ/min or less
	0.20 MPa	25 ℓ/min or less

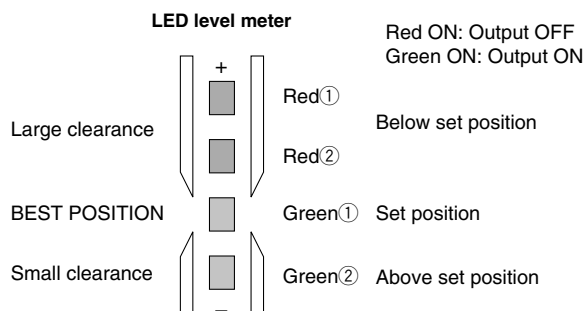
Working Principle



In a bridge circuit as in the figure above, a detection gap is applied to the detection nozzle (S4) while the setting dial S3 is adjusted to balance the pressure applied to the pressure sensor (P1 = P2). The pressure sensor detects the differential pressure generated when the detection nozzle (S4) is released. When the work piece comes close to the detection nozzle, the back pressure P2 increases until it is larger than P1 (P2 ≥ P1). Then the switch output turns on to notify that the pressure is below the detection gap.

How to Set Pressure

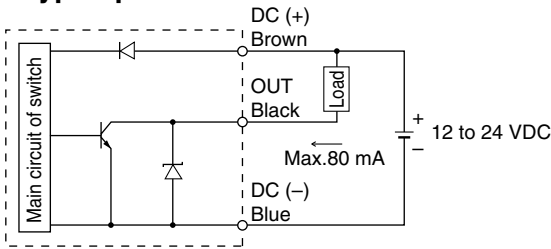
Air catch sensor is adjusted by using the LED level meter and the setting dial.



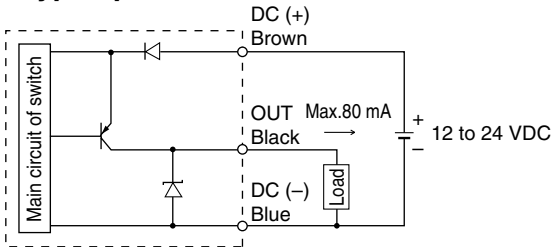
- (1) For accurate setting, create the proper setting conditions by applying a clearance gauge to the detection nozzle beforehand.
- (2) Confirm that pressure is being applied. At this time, if the setting dial is fully closed, all LEDs should be off.
- (3) Turning the setting dial in a plus direction (counterclockwise) will cause the LEDs to turn on in order: Red 1, Red 2, Green 1, Green 2.
- (4) When the Green 1 LED level meter comes on, output will be switched on, so please end the setting process at the point when Green 1 comes on.
- (5) Apply a clearance gauge to the detection nozzle once more, and confirm that Green 1 has switched on.
- (6) Hold the setting dial with a finger, and tighten the lock nut with a wrench. Tighten so that the setting dial will not turn.

Internal Circuit and Wiring

NPN-type open collector



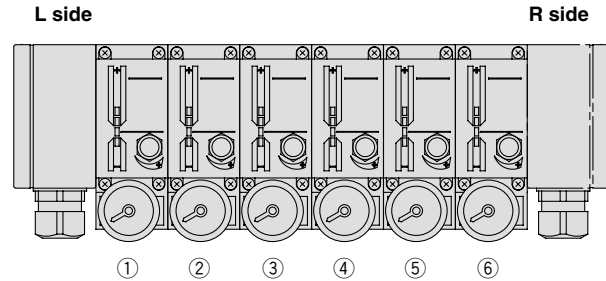
PNP-type open collector



Centralized wiring type

Refer to the below figure for the relation between terminal block wiring in terminal box and switch.

OUT 1	OUT 2	OUT 3	OUT 4	OUT 5
GND	VCC	NC	OUT 6	



⚠ Specific Product Precautions

Read before handling.

Refer to front matters 58 and 59 for Safety Instructions and pages 687 to 691 for Pressure Switch Precautions.

Mounting

⚠ Caution

- If the detection nozzle is exposed to splashes of water or cutting oil, do not allow backflow from the detection nozzle to the switch body. Install the switch body at a position higher than the detection nozzle wherever possible.

Piping

⚠ Caution

1. Piping equipment

In the piping between the switch body and the detection nozzle, do not use equipment or fittings that can possibly cause leakage or serve as resistance.

Do not use One-touch fittings in an environment where the air catch sensor is exposed to water or other liquid.

Pressure Source

⚠ Caution

1. Supply air

Since the orifice of the air catch sensor is small, prevent foreign matter from entering the equipment. For this purpose, use supply air that is dry and filtered 5 μm or better.

2. Operating pressure

Since the product adopts a semiconductor pressure sensor, keep the operating pressure not larger than 0.2 MPa.

Operating Environment

⚠ Caution

- When an air catch sensor is contained in a box, provide an air outlet to constantly keep the atmospheric pressure inside the box. Internal pressure rises will hinder normal air discharge and may lead to possible malfunction.
- The air catch sensor is IP66-compliant, but when there is a possibility of water, oil, etc. from the exhaust port entering the case interior, use an M5 fitting to connect a tube, and discharge air in a place where water and oil will not enter the interior. When attached with a gauge, there is a danger of materials entering the gauge interior and causing malfunction, so please remove the gauge and use a plug instead. When mounting a gauge to the exterior, please use piping of as short a length as possible. Failure to do so may result in slower response speed.

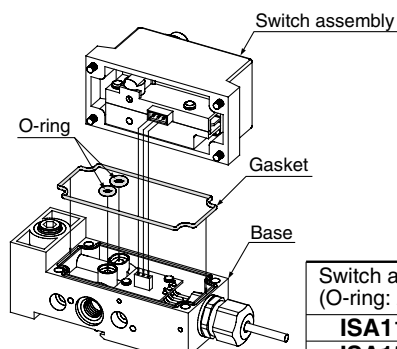
Maintenance

⚠ Caution

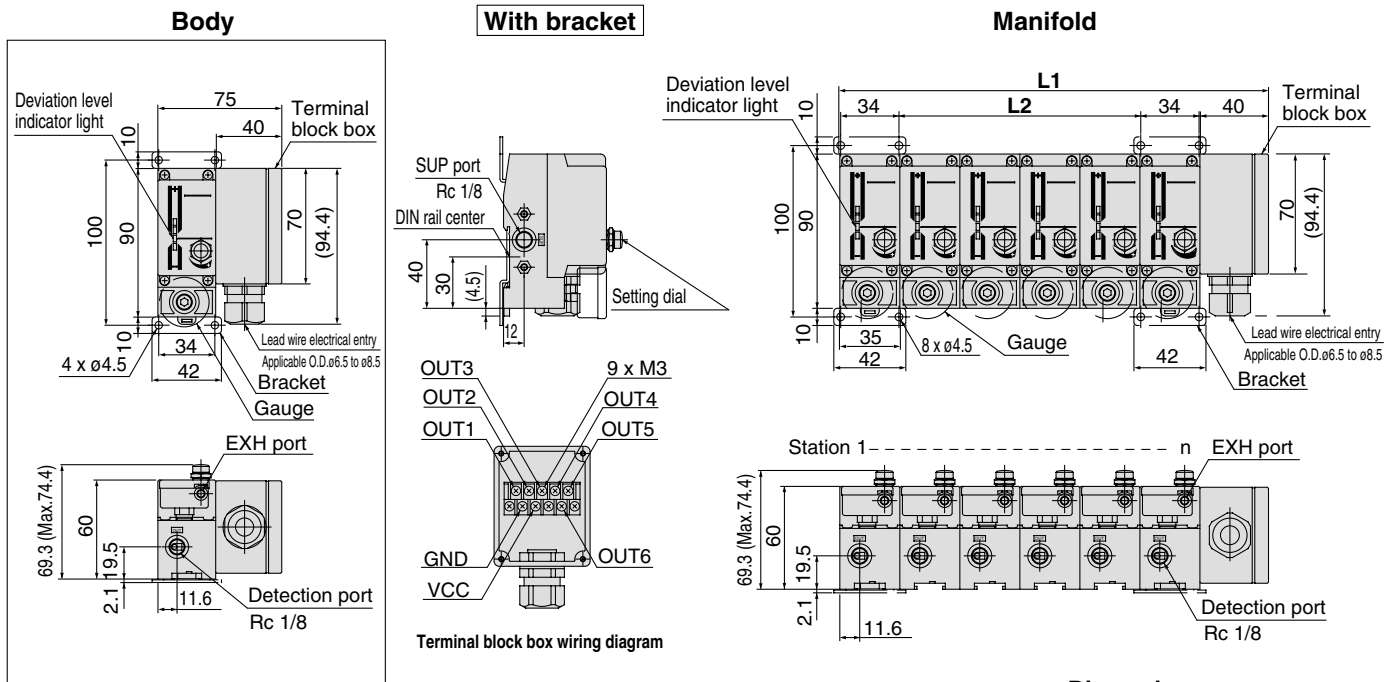
1. How to change

After loosening the four mounting screws (M4 x 8), pull straight back on the switch body. Pulling back diagonally can result in bending of the connector pin, etc., so take precautions.

- When mounting the switch body to the base, push the pin (main body side) straight into the connector (base side), and evenly mount with four mounting screws (M4 x 8). Be sure not to forget to include seals, etc. (Tightening torque 0.45 N·m)



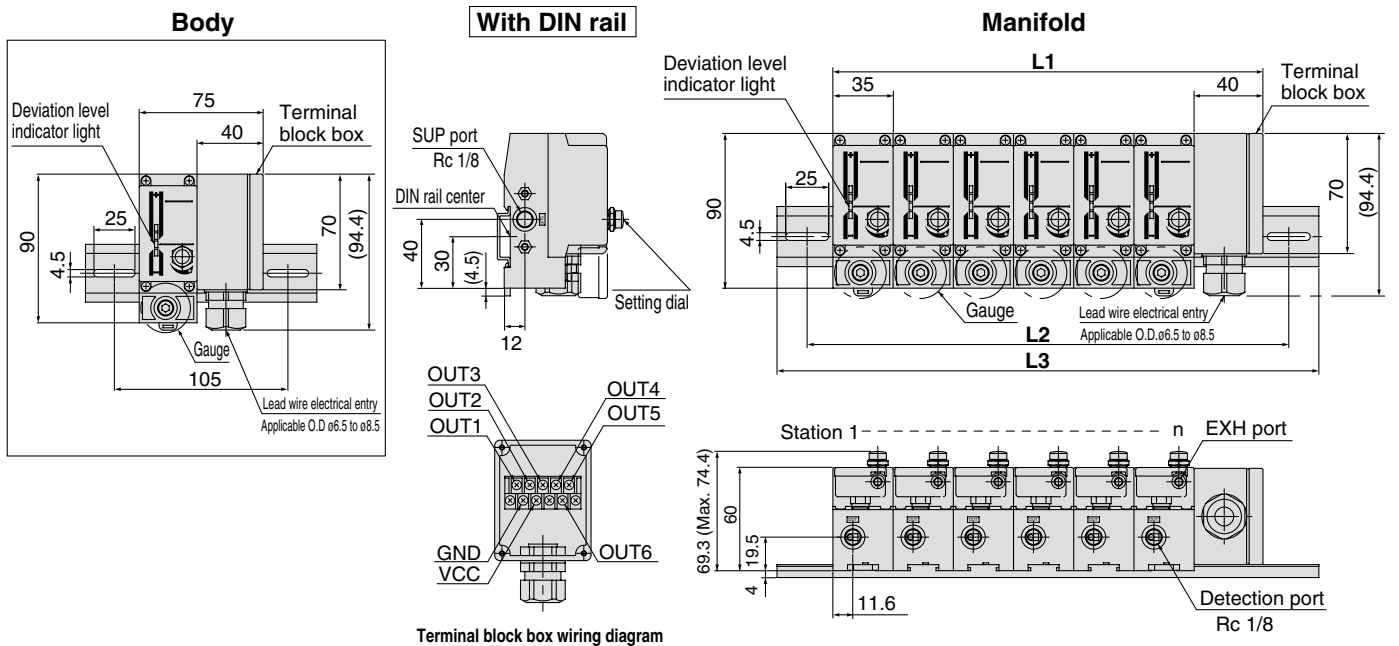
Dimensions: Centralized Wiring Type (Terminal Block Box Type)



When the bracket has two stations and the terminal block box is on the right side, it attaches to the second switch, while when it is on the left side, it attaches to the first switch. With n stations, it attaches to the first switch and the *n*th switch.

Dimensions

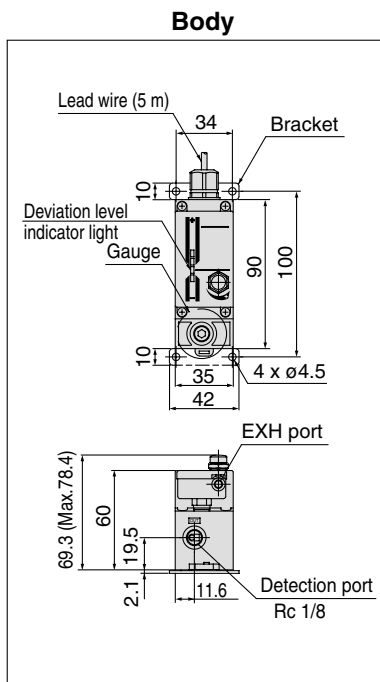
Station	2	3	4	5	6
L1	110	145	180	215	250
L2	—	36	71	106	141



Dimensions: With DIN rail

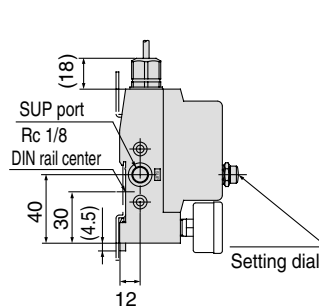
Station	2	3	4	5	6
L1	110	145	180	215	250
L2	140	175	210	245	280
L3	175	210	245	280	315

Dimensions: Individual Wiring Type (Lead Wire Type)

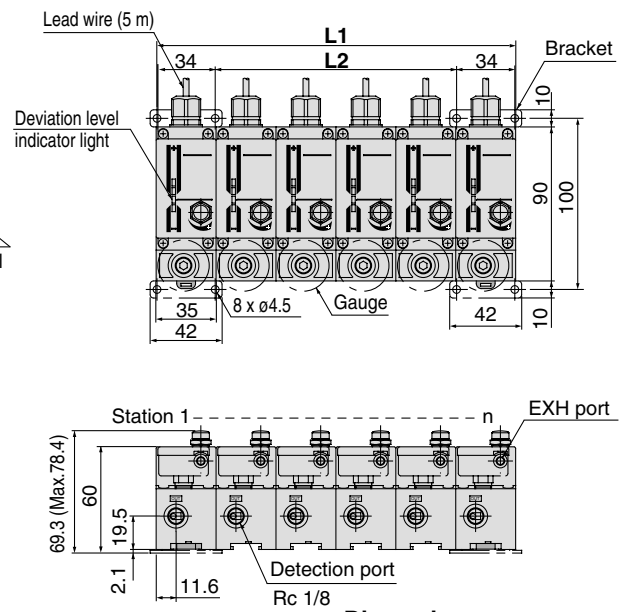


When the bracket has two stations, it attaches to the first switch.
 With n stations, it attaches to the first switch and the n th switch.

With bracket



Manifold



Dimensions

Station	2	3	4	5	6
L1	70	105	140	175	210
L2	—	36	71	106	141

ZSE
ISE

ZSP

PS

ISA

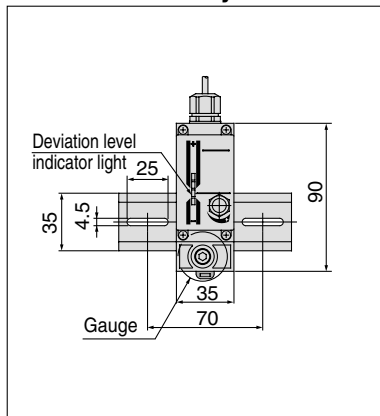
PSE

IS

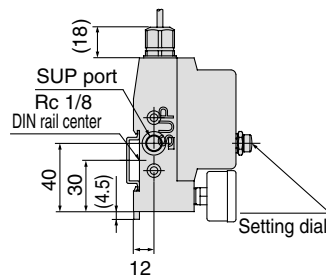
ISG

ZSM

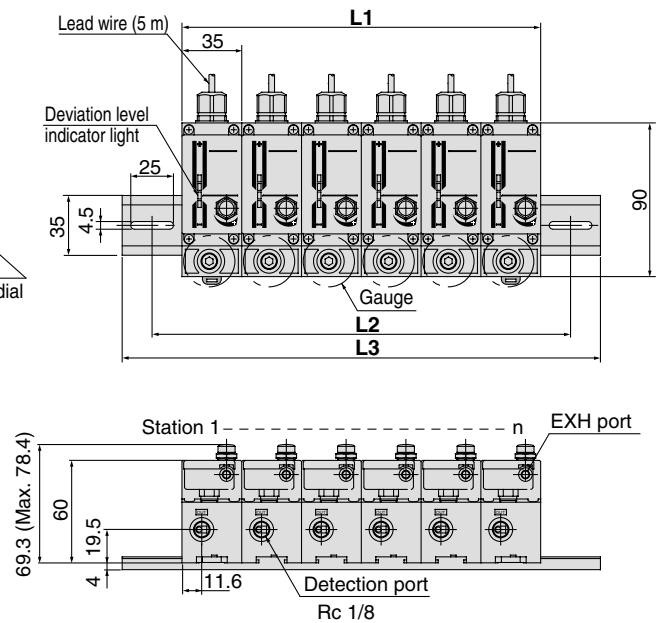
Body



With DIN rail



Manifold



Dimensions: With DIN rail

Station	2	3	4	5	6
L1	70	105	140	175	210
L2	105	140	175	210	245
L3	140	175	210	245	280

Operation guideline: Design data

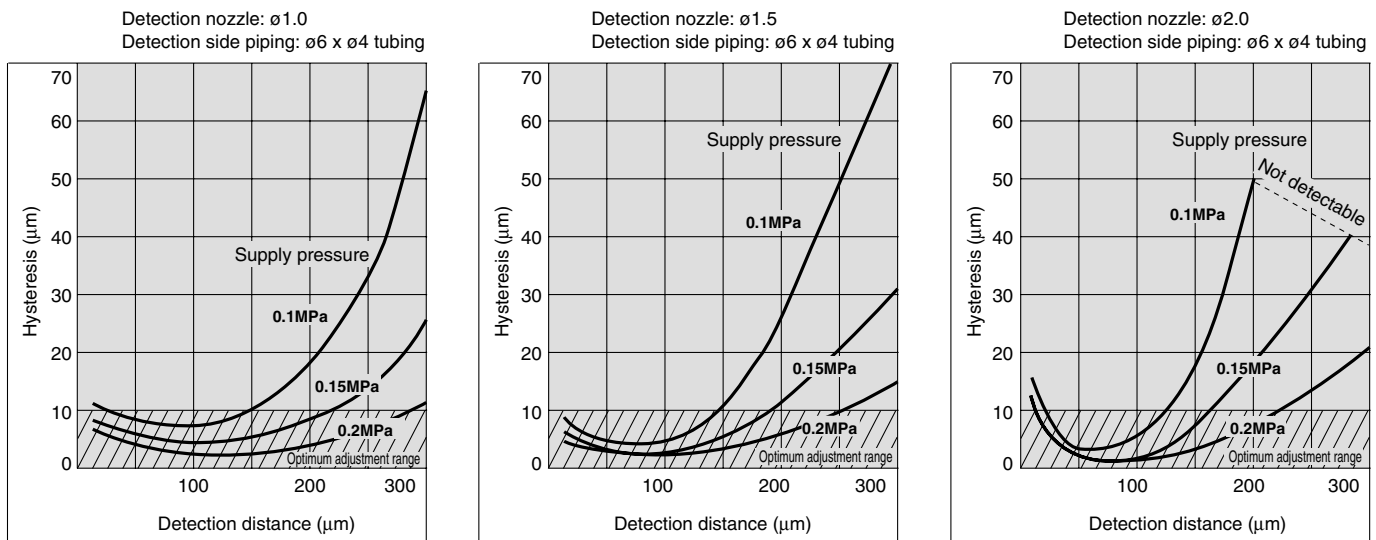
When you design the pneumatic circuit using the air catch sensor, please refer to the data below. The detection distance of the air catch sensor is between 10 and 300 μm . However, please note that stable detection cannot be done when supply pressure or nozzle size are different.

Relation between Nozzle Diameter and Detection Distance

The data in the following charts are characteristics of hysteresis at the detection distance.

In case accuracy is required by the settings, the design should be made so that the hysteresis will stay within the optimum adjustment range not larger than 10 μm .

The smaller the hysteresis, the better the sensitivity. In cases where the hysteresis exceeds 10 μm , the air catch sensor should be used to check the presence of the work piece.



Ex. 1) To detect 300 μm , select a $\phi 1.0$ detection nozzle and supply pressure of 0.2 MPa.

Ex. 2) To detect 10 μm , select a $\phi 1.5$ detection nozzle.

Nozzle Shape

Please keep the nozzle shape as illustrated below.

Take every caution against chamfer on the detection surface and/or nozzle hole, which could affect the characteristics as illustrated in Figure (1).

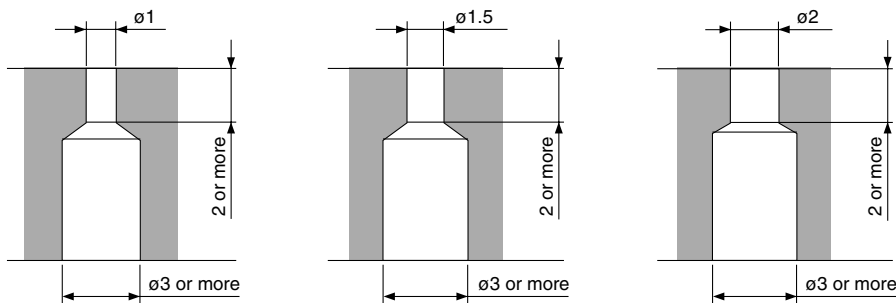
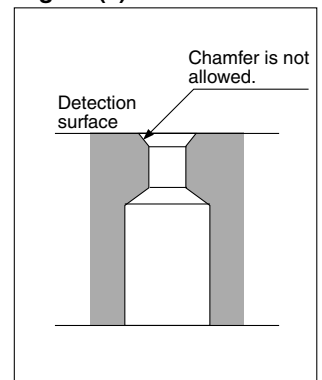


Figure (1)



Response Time

Response time changes with detection distance and piping length. It is hardly influenced by the supply pressure and nozzle diameter ($\phi 1.0$ to $\phi 2.0$). While both graphs assume a fixed set distance with changes in the detection distance, Fig. 2 shows responses at various set values and Fig. 3 shows responses at various piping lengths. If the detection distance is equal to the set value, the response becomes quicker as the set value becomes smaller or the piping length becomes shorter.

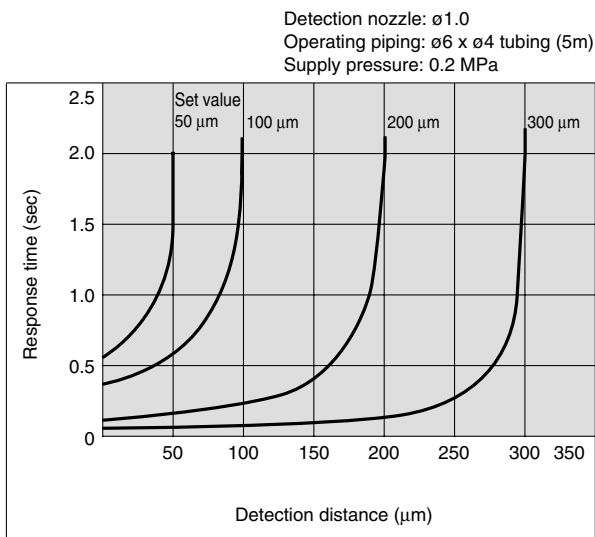


Fig. 2 Detection distance – Response time characteristics

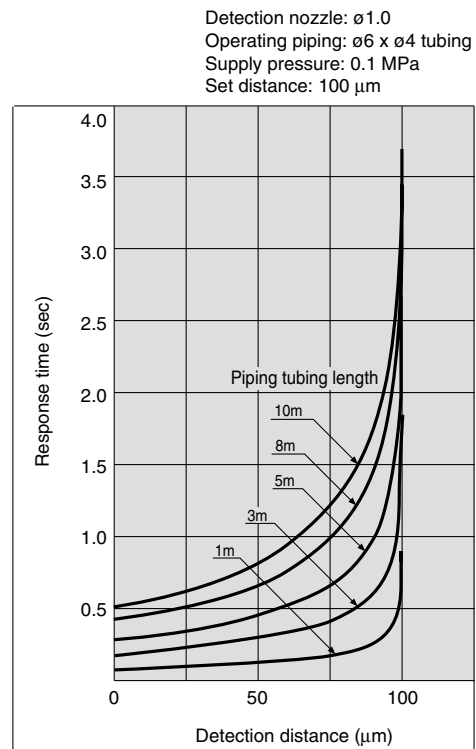
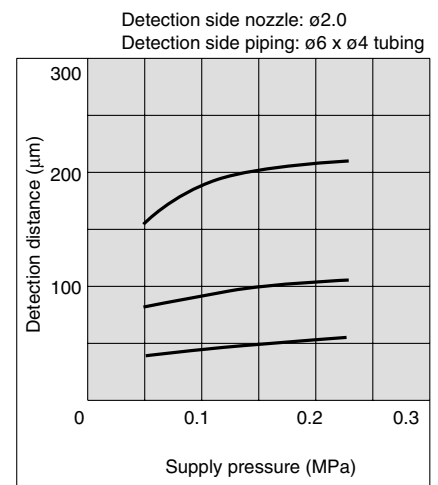
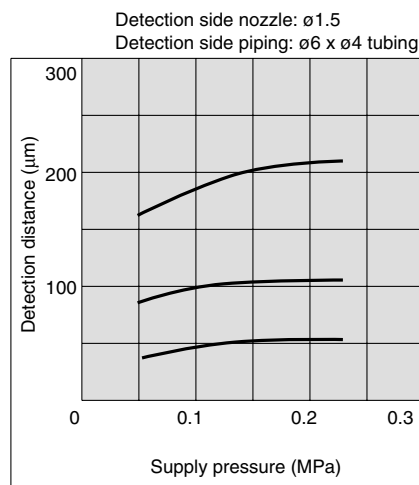
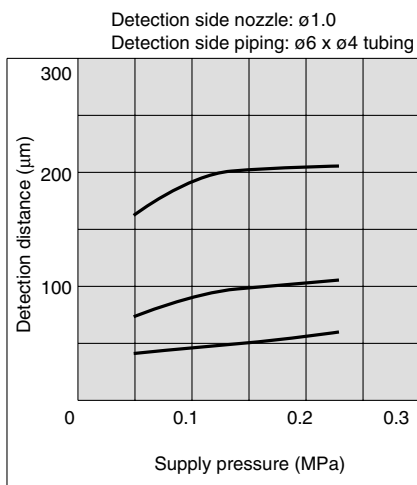


Fig. 3 Response time – Piping tubing length

Supply Pressure Dependence

The charts illustrate changes in the detection distance with fluctuations in the supply pressure.



ZSE
ISE
ZSP
PS
ISA
PSE
IS
ISG
ZSM