

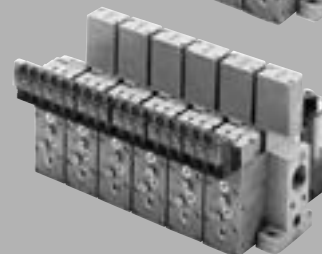
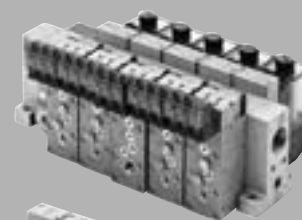
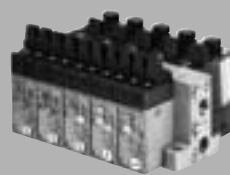
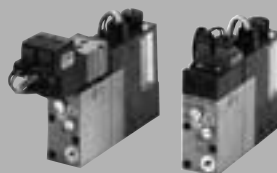
# Compact Pressure Switch

Series **ZSE2** (For Vacuum) / **ISE2** (For Positive Pressure)

For General Pneumatics



Can be integrated with ZX or ZR ejector system.



ZSE  
ISE

ZSP

PS

ISA

PSE

IS

ISG

ZSM

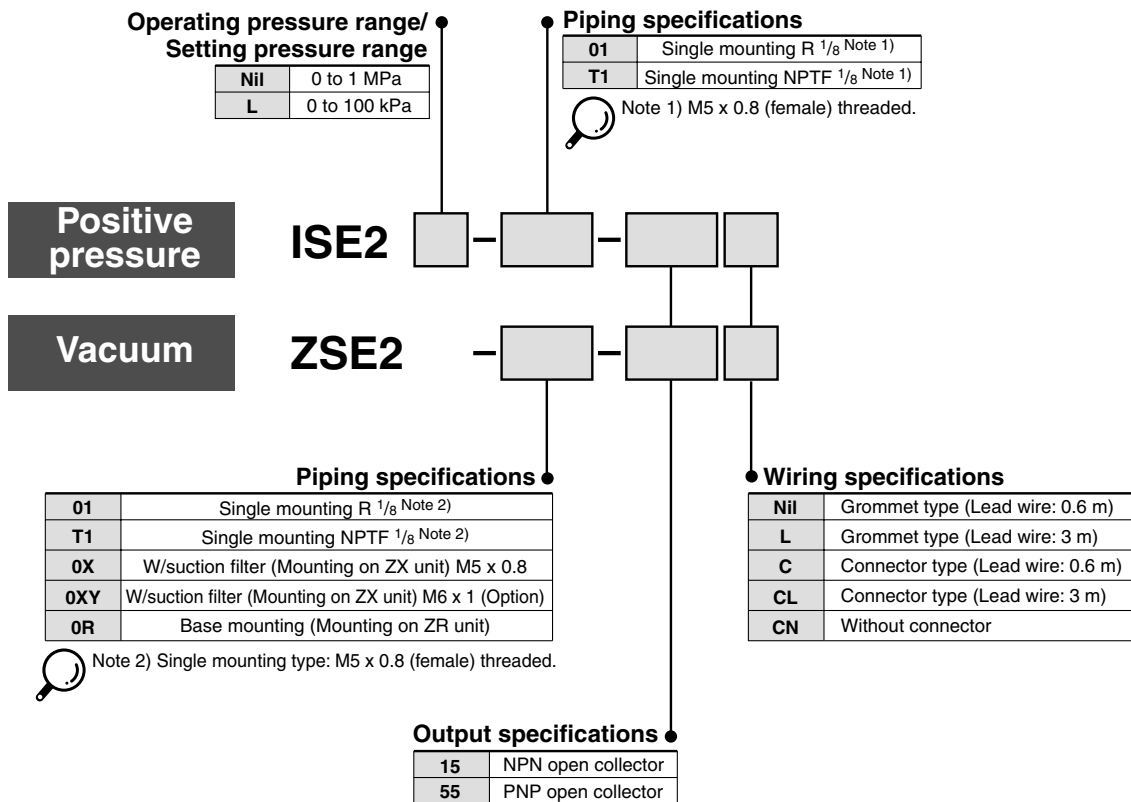
## Easy and simple wiring

Connector type

# Compact Pressure Switch

## Series ZSE2/ISE2

### How to Order



### With Connector/How to Order

● Without lead wire (Connector 1 pc., Socket 3 pcs.) .....ZS-10-A

● With lead wire .....ZS-10-5A-□

Note) When ordering switch with 5 m long lead wire, indicate both part numbers.

Ex.) ZSE2-01-15CN.....1 pc.  
ZS-10-5 A-50.....1 pc.

**Lead wire length**

Nil	0.6 m
30	3 m
50	5 m

# Compact Pressure Switch *Series ZSE2/ISE2*

## Specifications

Model		ZSE2	ISE2L	ISE2
Rated pressure range/Set pressure range		For vacuum 0 to -101 kPa	For low pressure 0 to 100 kPa	For positive pressure 0 to 1 MPa
Proof pressure		500 kPa		1.5 MPa
Fluid		Air/Non-corrosive, non-flammable gas		
Power supply voltage		12 to 24 VDC ±10%, Ripple (P-P) 10% or less (With power supply polarity protection)		
Current consumption		17 mA or less at 24 VDC		
Response time		5 ms or less		
Repeatability		±1% F.S. or less		
Resistance	Enclosure	IP40		
	Operating temperature range	Operating: 0 to 60°C, Stored: -10 to 60°C (With no condensation and no freezing)		
	Operating humidity range	Operating/Stored: 35 to 85%RH (With no condensation)		
	Vibration resistance	10 to 500 Hz at whichever is smaller of 1.5 mm amplitude or 98 m/s <sup>2</sup> acceleration, in X, Y, Z directions for 2 hrs. each (De-energized)		
	Impact resistance	980 m/s <sup>2</sup> in X, Y, Z directions, 3 times each (De-energized)		
Temperature characteristics (Based on 25°C)		±3% F.S. or less		
Withstand voltage		1000 VAC for 1 min. (between live parts and case)		
Insulation resistance		50 MΩ or more (at 500 VDC by megameter) between live parts and case		
Port size		01: R 1/8, M5 x 0.8 T1: NPTF 1/8, M5 x 0.8 0X: With suction filter (For mounting on ZX unit) 0R: Base mount type (For mounting on ZR unit)		
Mass		35 g (Including 0.6 m-Long lead wire)		
Lead wire	Grommet type	Oil-resistant vinyl cabtire code 3 cores, ø3.4, Cross section: 0.2 mm <sup>2</sup> , Insulator O.D.: 1.1 mm		
	Connector type	Heat-resistant vinyl electric wire, 3-wire, Cross section: 0.31 mm <sup>2</sup> , Insulator O.D.: 1.55 mm		
Standard		Compliant with CE marking		

## Output Specifications

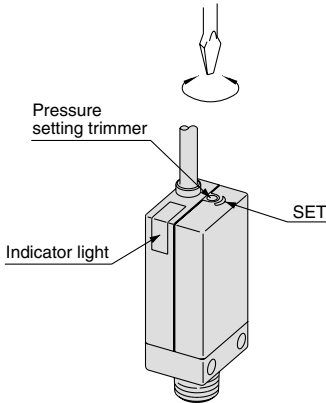
Model	-15	-55
Switch output	NPN open collector 30V, 80 mA or less	PNP open collector 80 mA or less
Residual voltage	1 V or less (With load current of 80 mA)	
Number of outputs	1	
Hysteresis	3% F.S. or less (Fixed)	
Indicator light	ON: when output is ON (Red)	
Trimmer adjustment	200°	

ZSE  
ISE  
ZSP  
PS  
ISA  
PSE  
IS  
ISG  
ZSM

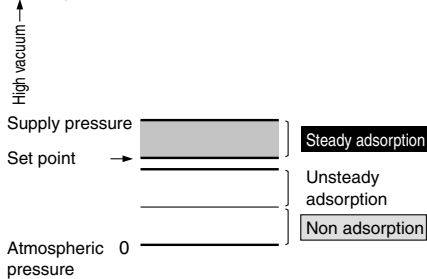
# Series ZSE2/ISE2

## Calibration Procedure

- Set the ON-pressure by the pressure setting trimmer. Turning clockwise can set the high pressure/high vacuum pressure.



- Set the possible min. pressure for adsorption confirmation. If setting the pressure lower than that, switch becomes ON in case that adsorption is not completely done. If setting the pressure higher than that, switch does not become ON even though it may adsorb workpieces.



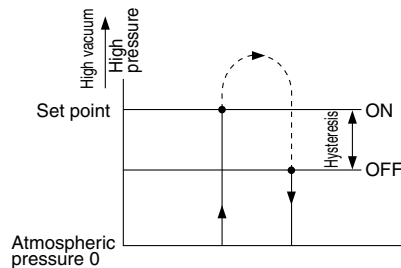
### Regarding the pressure setting

#### Caution

Observe the following precautions for setting the vacuum pressure: Use your fingertips to gently turn the screwdriver. Do not use a screwdriver with a large grip or with a tip that does not fit into the trimmer groove because this could strip the groove.

## Hysteresis

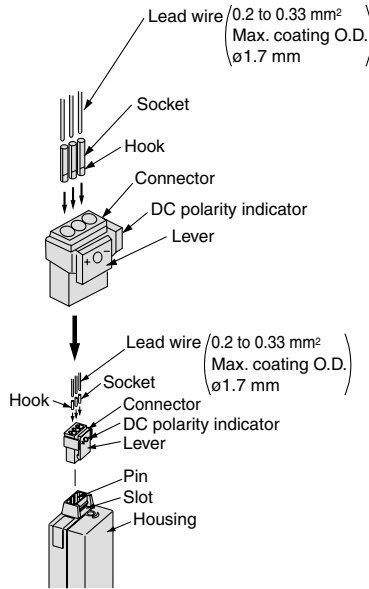
Hysteresis is the pressure difference between the ON and the OFF pressure of the output signal. The set pressure is the pressure selected to switch from OFF to ON condition.



## How to Use Connector

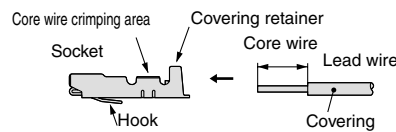
### 1. Attaching and detaching connectors

- When assembling the connector to the switch housing, push the connector straight onto the pins until the lever locks into the housing slot.
- When removing the connector from the switch housing, push the lever down to unlock it from the slot and then withdraw the connector straight off of the pin.



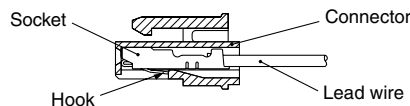
### 2. Crimping of lead wires and sockets

Strip 3.2 to 3.7 mm at the end of the lead wires, insert the ends of core wires evenly into the sockets, and then crimp with a crimping tool. When this is done, take care that the coverings of the lead wires do not enter the core wire crimping area. (Crimping tool: model no. DXT170-75-1)



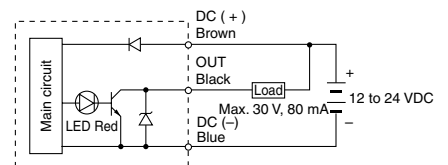
### 3. Attaching and detaching lead wires with sockets

- Attaching**  
Insert the sockets into the square holes of the connector (with +, 0, - indication), and continue to push the sockets all the way in until they lock by hooking into the seats in the connector. (When they are pushed in their hooks open and they are locked automatically.) Then confirm that they are locked by pulling lightly on the lead wires.
- Detaching**  
To detach a socket from a connector, pull out the lead wire while pressing the socket's hook with a stick having a thin tip (about 1 mm). If the socket will be used again, first spread the hook outward.



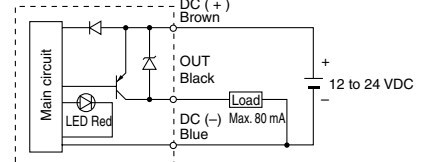
## Internal Circuit and Wiring Example

### -15 NPN open collector



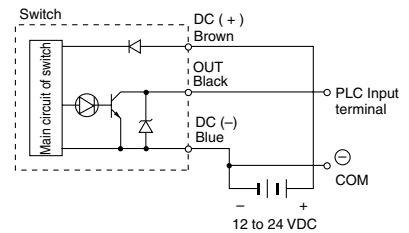
Electric circuit diagram

### -55 PNP open collector



Electric circuit diagram

### Connection example with a PLC at - common terminal



### Filter case

#### Caution

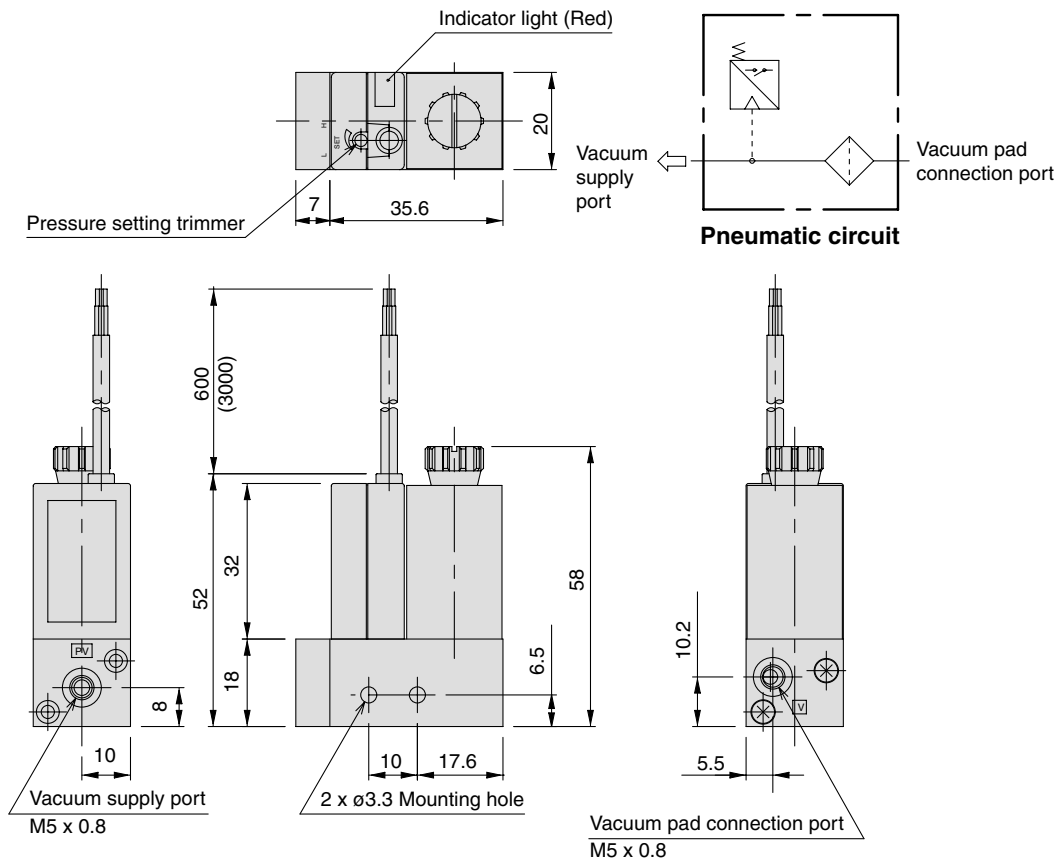
- Do not use with thinner, carbon tetrachloride, chloroform, acetate, aniline, cyclohexane, trichloroethylene, sulfuric acid, lactic acid and watermiscible cutting fluid (alkaline).
- Operate it away from direct sunlight.

#### Caution

- Be sure to read before handling.
- Refer to front matters 58 and 59 for Safety Instructions and pages 687 to 691 for Pressure Switch Precautions.

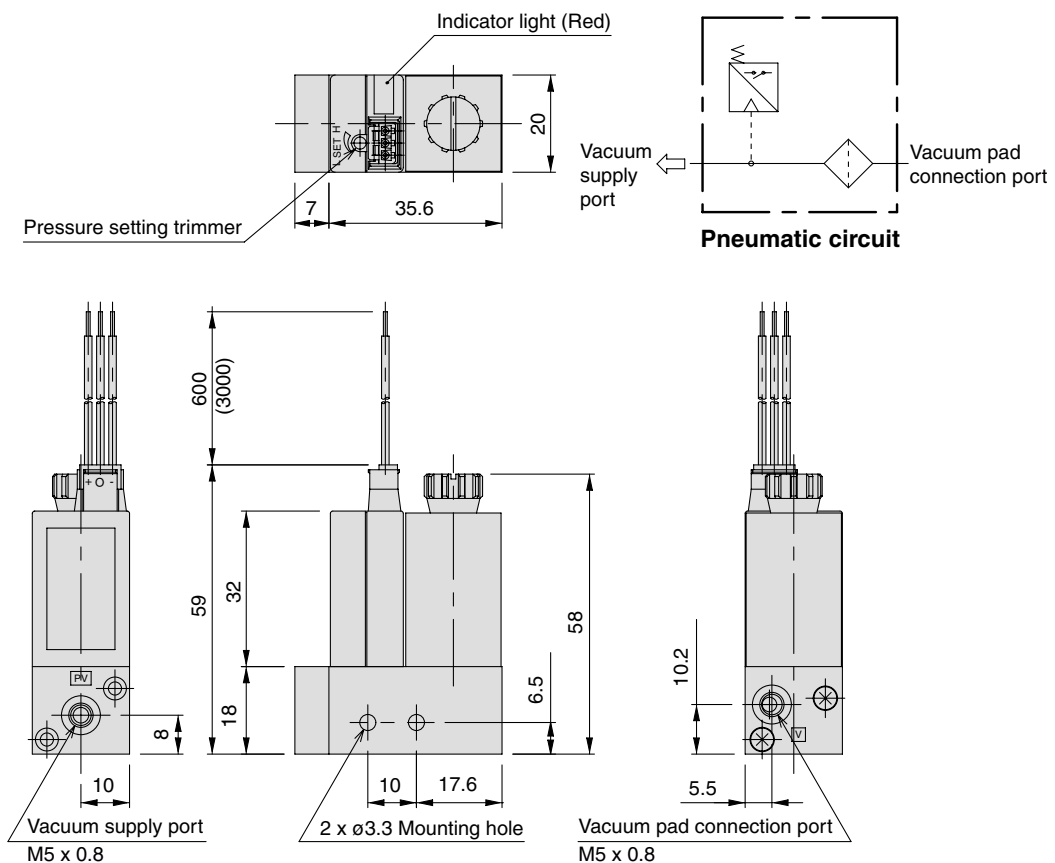
## Dimensions/With Suction Filter: ZSE2-0X□

Grommet type: ZSE2-0X□-15



ZSE
ISE
ZSP
PS
ISA
PSE
IS
ISG
ZSM

## Connector type: ZSE2-0X□-15C

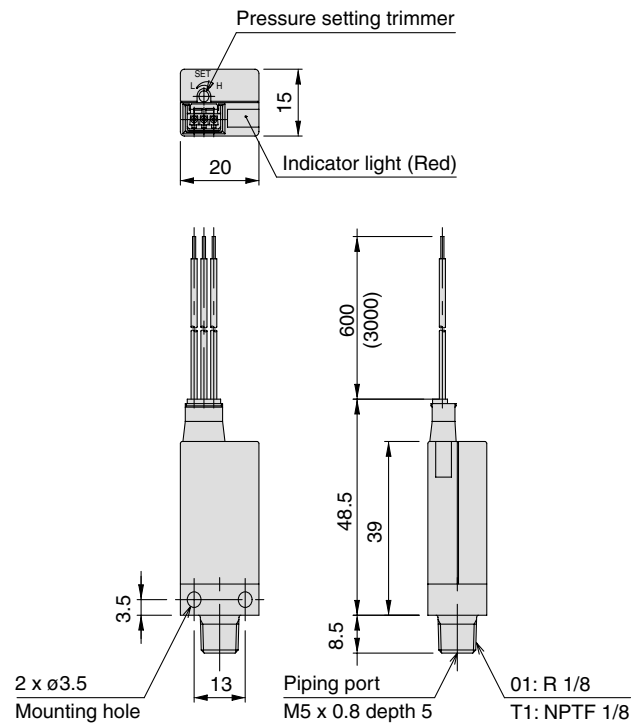
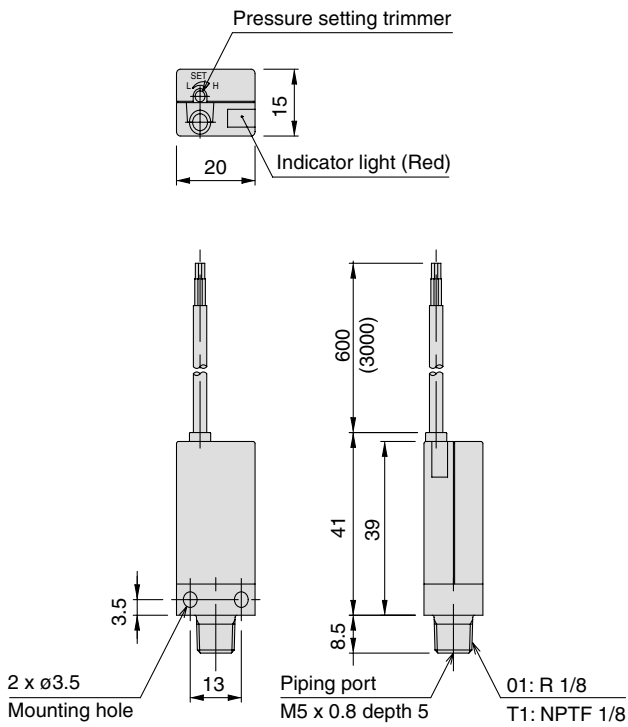


# Series ZSE2/ISE2

## Dimensions/Standard Type: ZSE2-<sup>01</sup><sub>T1</sub>

Grommet type: ZSE2-<sup>01</sup><sub>T1</sub>-15

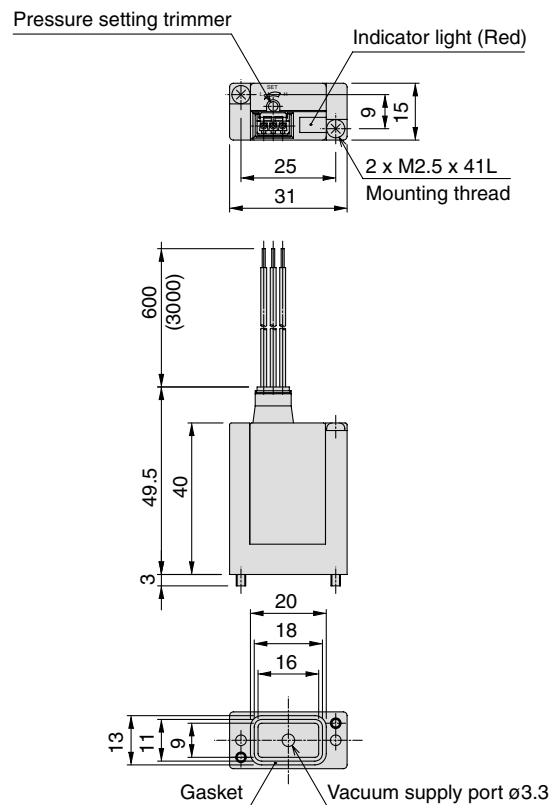
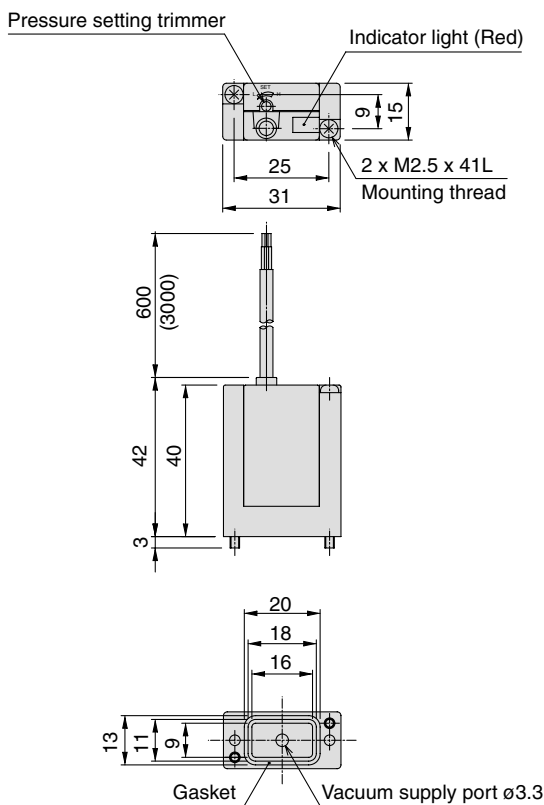
Connector type: ZSE2-<sup>01</sup><sub>T1</sub>-15C



## Dimensions/Base Mount Type: ZSE2-0R

Grommet type: ZSE2-0R-15

Connector type: ZSE2-0R-15C

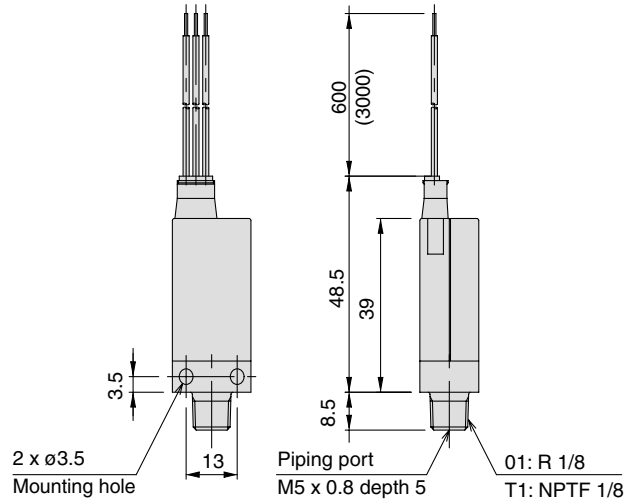
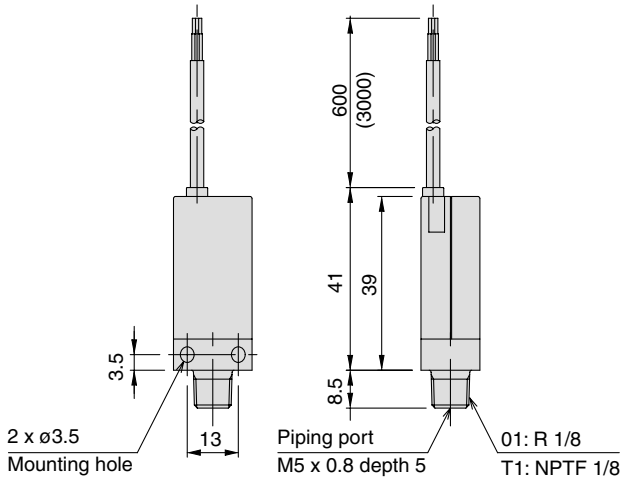
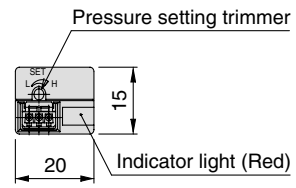
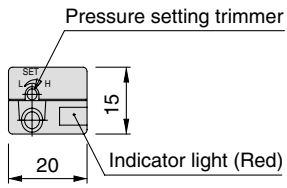


# Compact Pressure Switch *Series ZSE2/ISE2*

Dimensions: ISE2- $\square$ - $\frac{01}{T1}$

Grommet type: ISE2- $\frac{01}{T1}$ -15

Connector type: ISE2- $\frac{01}{T1}$ -15C



- ZSE
- ISE
- ZSP
- PS
- ISA
- PSE
- IS
- ISG
- ZSM