

Power Valve: Regulator Valve

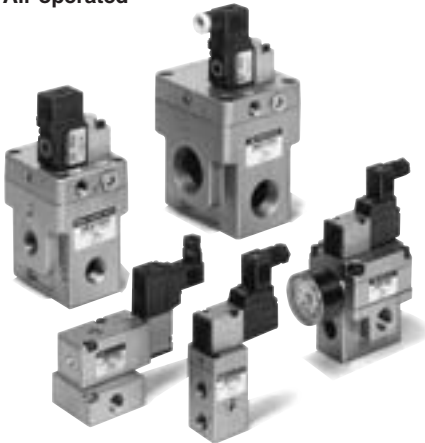
Series VEX1

Large capacity relief regulator

Rapid tank internal pressure setting, air blow, constant pressure supply and driving, balance and driving, 2 steps directional control setting and multiple steps pressure control



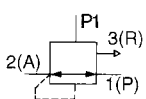
Air operated



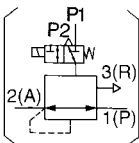
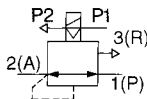
External pilot solenoid

JIS Symbol

Air operated



External pilot solenoid



Specifications

Model	VEX110□-01-02	VEX120□-01-02	VEX130□-02-03-04	VEX150□-04-06-10	VEX170□-10-12	VEX190□-14-20									
Operation type	Air operated, External pilot solenoid														
Fluid	Air														
Max. operating pressure	1.0 MPa														
Set pressure range	0.05 to 0.9 MPa														
Air operated	0.05 to 0.9 MPa														
	Solenoid			0.05 to 0.9 MPa											
Ambient and fluid temp.	0 to 50°C (Air operated: 0 to 60°C) No condensation														
Hysteresis	0.03 MPa														
Repeatability	0.01 MPa														
Sensitivity	0.01 MPa														
Mounting	Free														
Lubrication	Not required (Use turbine oil Class 1 ISO VG32, if lubricated.)														
Port size	Port	01	02	01	02	02	03	04	04	06	10	10	12	14	20
	1(P)											1	1 1/4	1 1/2	2
	2(A)	1/8	1/4	1/8	1/4	1/4	3/8	1/2	1/2	3/4	1	1 1/4	1 1/4	2	2
3(R)											1 1/4				
Mass (kg)	Air operated	0.1	0.2	0.4	1.3	1.9	3.9								
	Solenoid	0.2	0.3	0.5	1.4	2.0	4.0								

Note) Non-lubricated specifications are not available for this product.

Pilot Solenoid Valve Specifications

Model	VEX1101 / 1201 / 1301	VEX1501 / 1701 / 1901
Pilot valve	VK334-□□□	VO307-□□□
Electrical entry	Grommet, DIN terminal	Grommet, Grommet terminal, Conduit terminal, DIN terminal
Coil rated voltage (V)	AC(50/60Hz)	100V, 110V, 200V, 220V, 240V
	DC	6V, 12V, 24V, 48V
Allowable voltage	±10% of rated voltage	
Apparent power	AC	-15 to +10% of rated voltage
	Inrush	9.5VA/50Hz, 8VA/60Hz
AC	7VA/50Hz, 5VA/60Hz	12.7VA(50Hz), 10.7VA(60Hz)
DC	7.6VA(50Hz), 5.4VA(60Hz)	7.6VA(50Hz), 5.4VA(60Hz)
power	DC	4 W (Without indicator light), 4.3 W (With indicator light)
Manual override	4.8 W (Without indicator light), 5 W (With indicator light)	
Manual override	Non-locking push type	

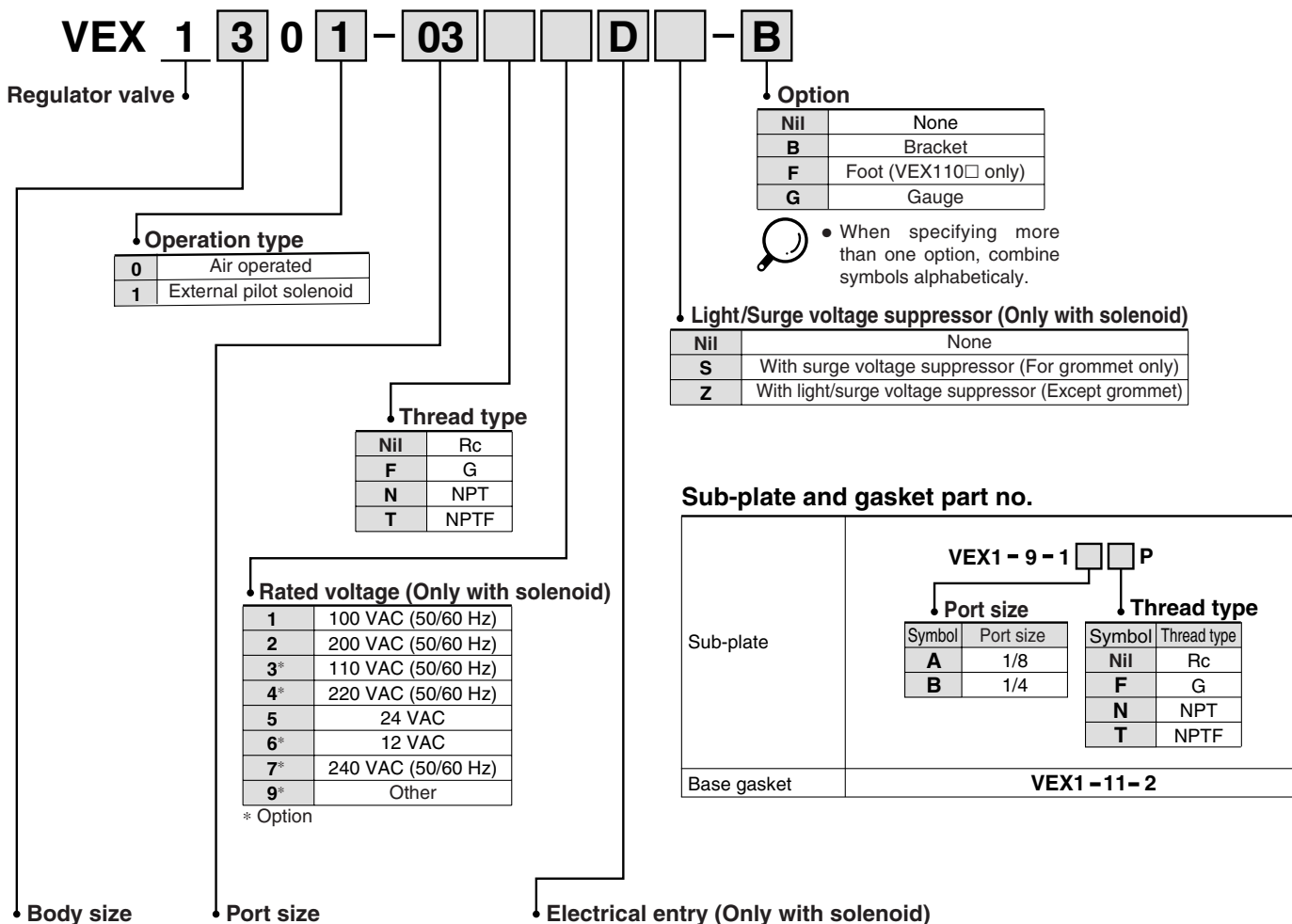
Option

Description		Part no.					
		VEX110□-01-02	VEX120□-01-02	VEX130□-02-03-04	VEX150□-04-06-10	VEX170□-10-12	VEX190□-14-20
Bracket (With bolt and washer)	B	VEX1-18-1A	-	VEX3-32A	VEX5-32A	VEX7-32A	VEX9-32A
	F	VEX1-18-2A	-	-	-	-	-
Pressure gauge ^{Note)}	G	G27-10-01		G36-10-01	G46-10-01		



Note) When requiring a gauge different than that mentioned above, specify the model number.
Option is packed with it.
(Refer to Best Pneumatics No. 6.)
Example: VEX1300-03
G36-4-01

How to Order



Body size	Port size			Electrical entry		
	Port	1(P), 2(A)	3(R)			
Body ported	1	01	1/8	1/8	G — Grommet (Lead wire length 300 mm) H — Grommet (Lead wire length 600 mm) D — DIN terminal DO — DIN terminal (Without connector)	
		02	1/4	1/4		
	3	03	3/8	3/8		
		04	1/2	1/2		
	5	04	1/2	1/2		
		06	3/4	3/4		
	7	10	1	1		G — Grommet (Lead wire length 300 mm) H — Grommet (Lead wire length 600 mm) E — Grommet terminal T — Conduit terminal D — DIN terminal
		12	1 1/4	1 1/4		
	9	14	1 1/2	2		
		20	2	2		
Base mounted	Nil	Without sub-plate		G — Grommet (Lead wire length 300 mm) H — Grommet (Lead wire length 600 mm) D — DIN terminal DO — DIN terminal (Without connector)		
	01	1/8	1/8			
	02	1/4	1/4			

⚠ Caution

Refer to front matters 58 and 59 for Safety Instructions and pages 3 to 7 for 3/4/5 Port Solenoid Valve Precautions.

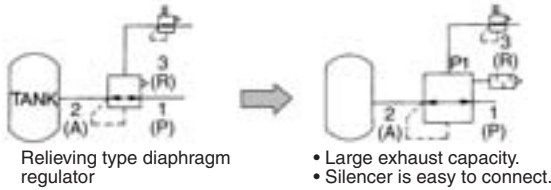


Series VEX1

Application Example

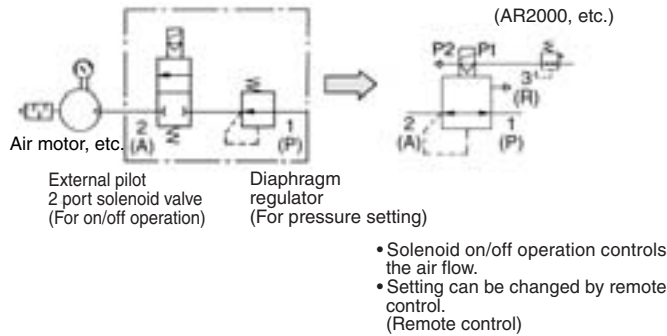
1. Relief regulator (Rapid tank internal pressure setting)

(Relieving type regulator e.g. AR2000)



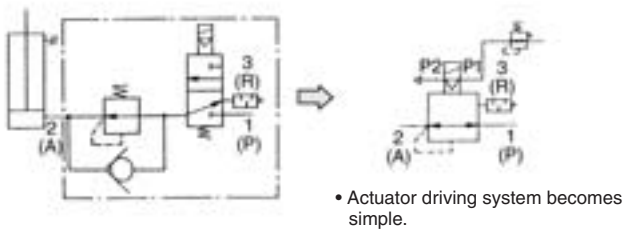
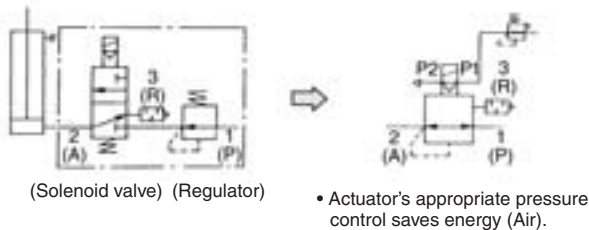
2. Air blow (As 2 port directional control regulator valve)

(AR2000, etc.)

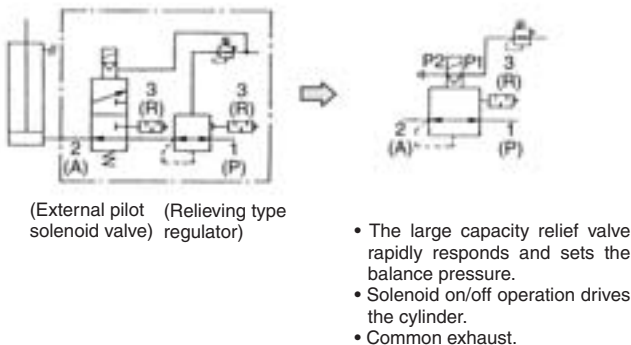


3. Constant pressure supply and driving (As 3 port directional control regulator valve)

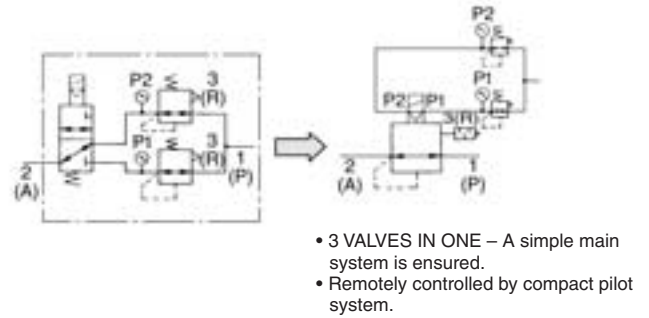
Note) The pressure is about 0.01 MPa when OFF because of leakage.



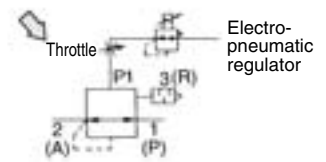
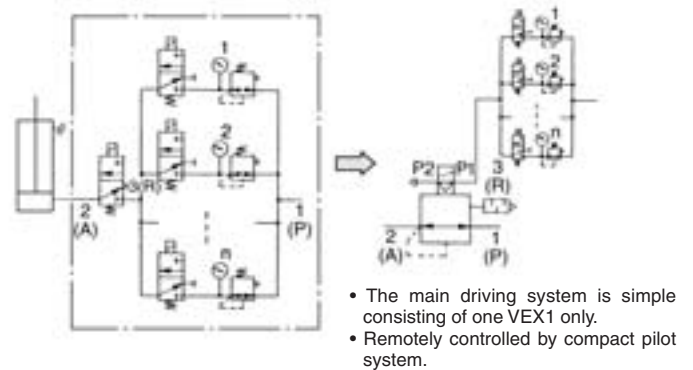
4. Balance and driving



5. 2 steps directional control setting



6. Multiple steps pressure control (Toward stepless control)



- Steplessly and remotely controlled by electric signals.
- Flexible pressure control for welders.

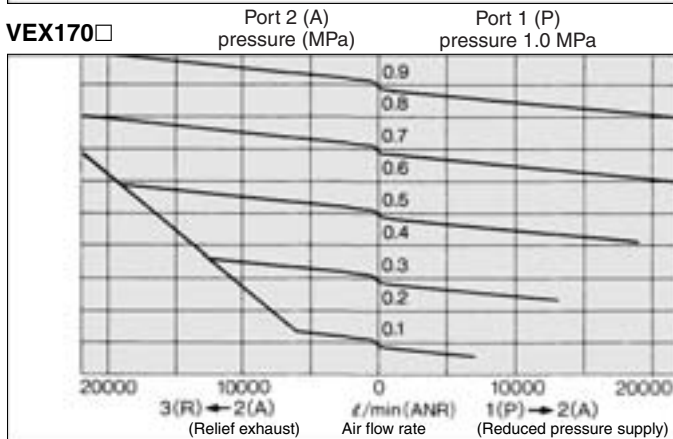
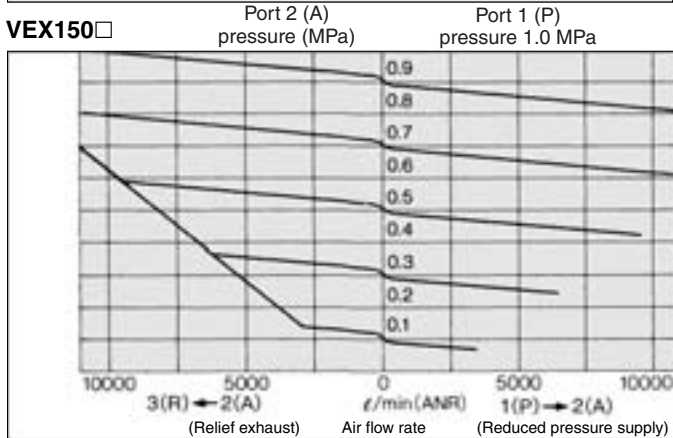
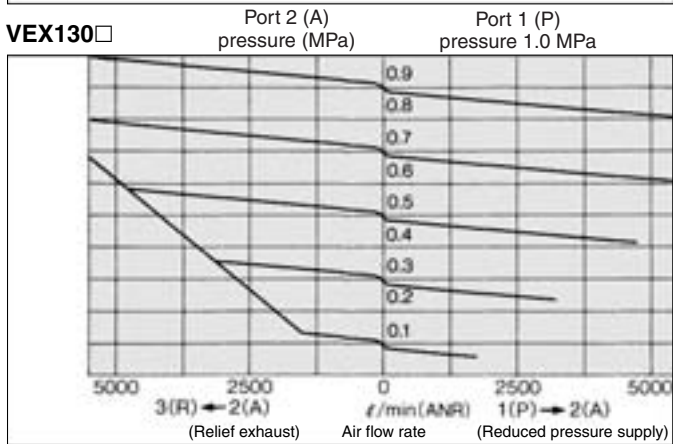
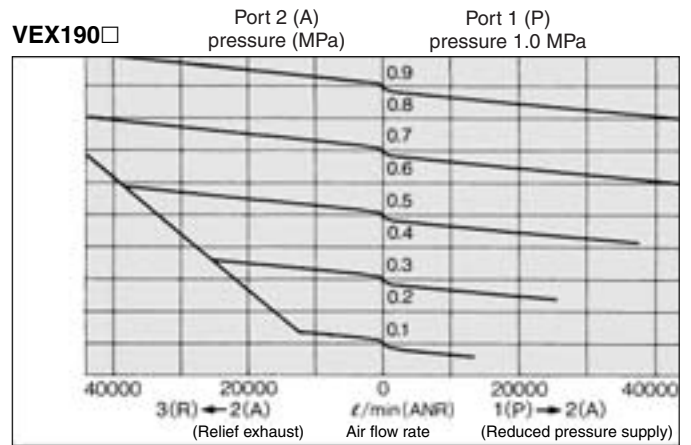
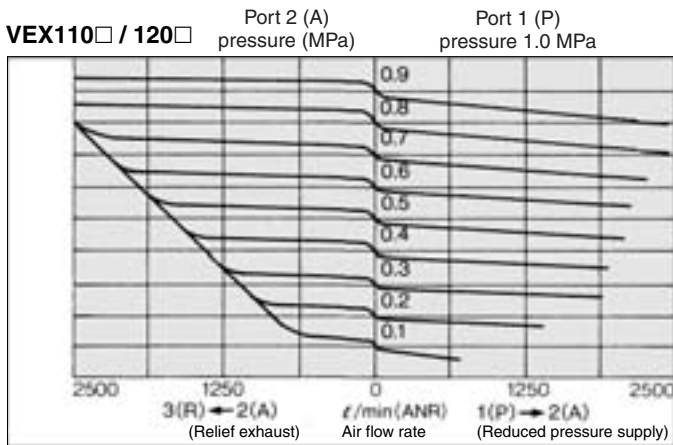
⚠ Caution

- When the VEX outlet side capacity is small, install a speed controller AS2000, in the pilot pipe to lower the pilot pressure for vibration prevention. (Meter-in)

⚠ Caution ((5) 2 steps directional control setting, (6) multiple steps pressure control setting)

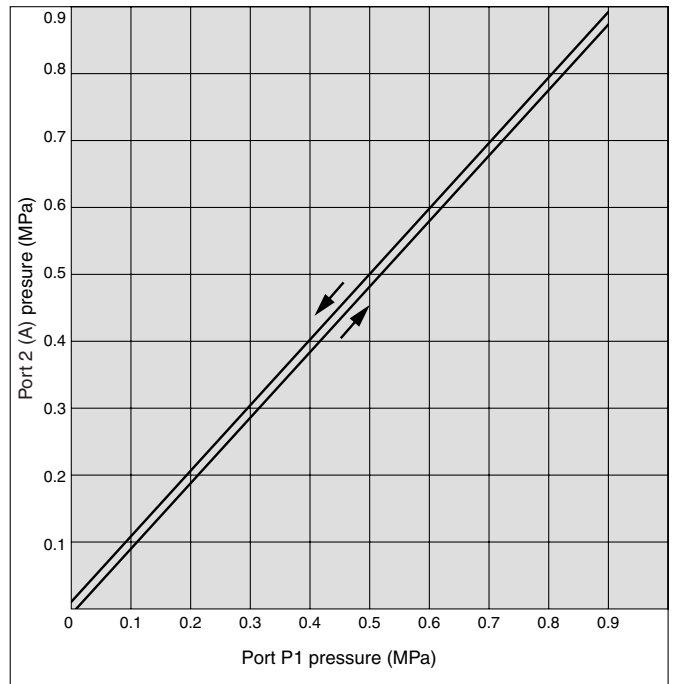
- Relieving type regulator such as AR2000, etc. should be used as pilot regulator in the application. (When the non-relieving type is used, pressure cannot be changed from high to low.)
- A sensitive regulator such as the ARP3000, etc. should be used as a pilot regulator on the low pressure side, particularly with 5. 2 steps directional control setting and 6. multiple steps pressure control. (Using a non-sensitive regulator may cause unstable pressure.)

Flow Characteristics

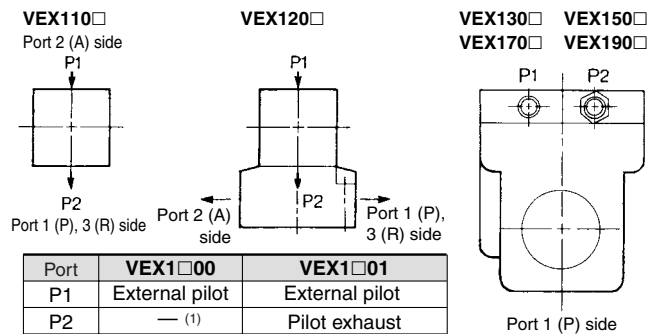


Setting Pressure Characteristics

Port P1 pressure is set according to port 2 (A) pressure.



External Pilot Piping



Note 1) Port P2 is not compatible with VEX1□00.

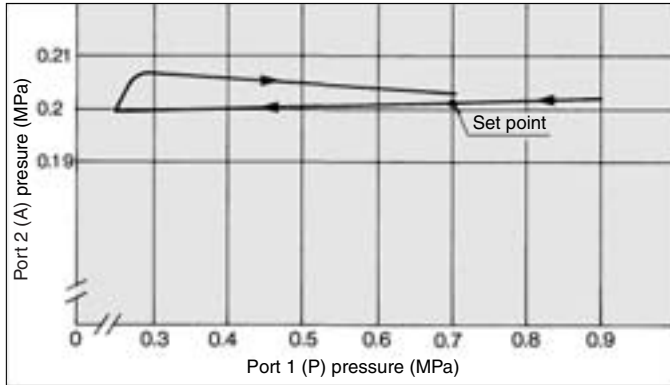
Note 2) A Silencer is mounted to port P2 for VEX1□01 as a standard. For the 2 steps directional control and multiple steps pressure control setting, use the product after removing a silencer.

Series VEX1

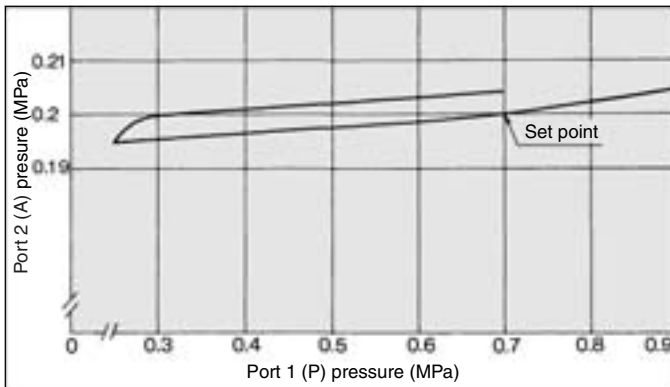
Pressure Characteristics

Shows the outlet pressure (Port 2 (A)) change against the inlet pressure (Port 1 (P)) change. They conform to JIS B 8372 (Air pressure regulator).

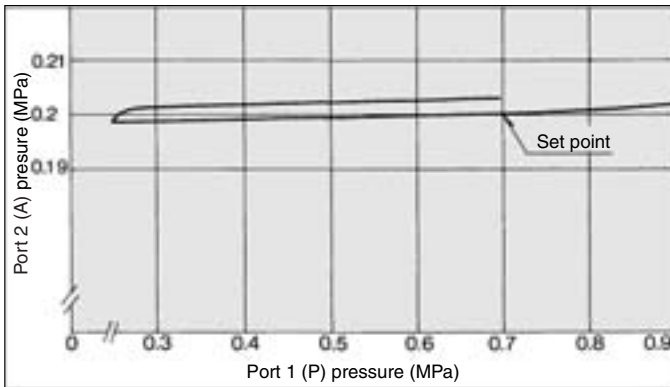
VEX110□ / 120□



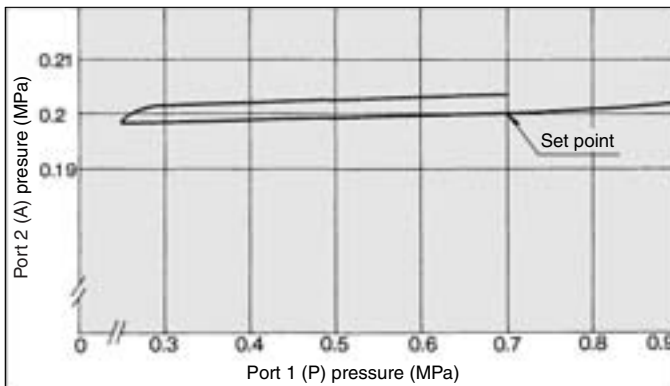
VEX130□



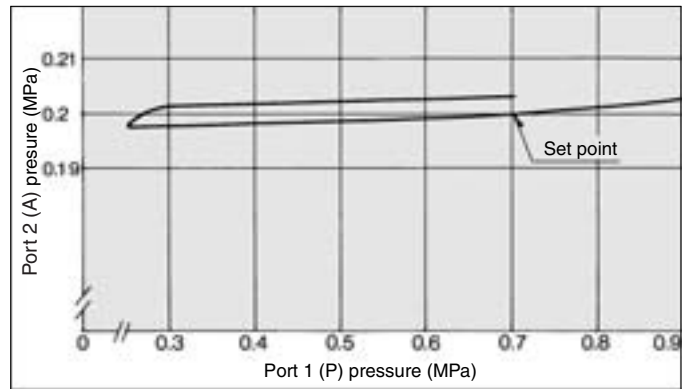
VEX150□



VEX170□

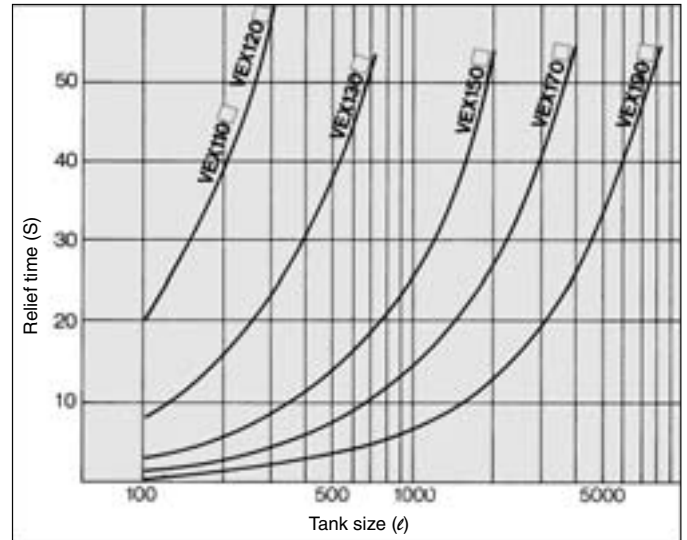


VEX190□

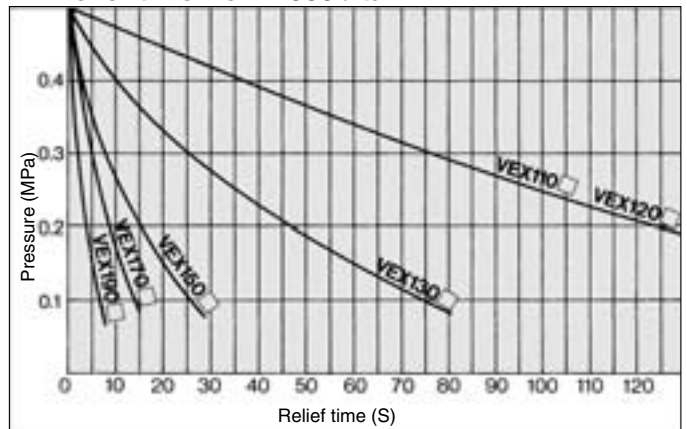


Relief Time

1. Relief time from 0.5 MPa to 0.1 MPa

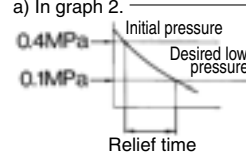


2. Relief time from 1000 ℓ tank



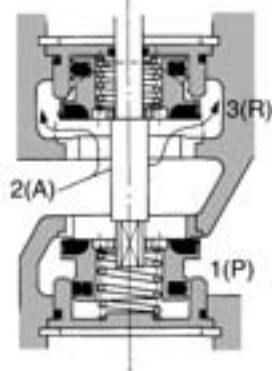
3. Relief time from an arbitrary pressure

[Example] VEX 1500 lowers 2000 ℓ tank from 0.4 MPa to 0.1 MPa:

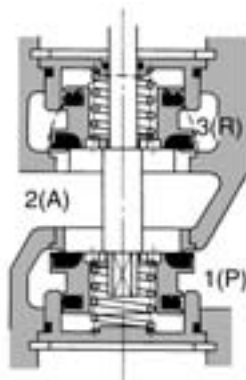
- a) In graph 2. 
- b) The relief time for the 2000 ℓ tank is found by conversion as shown below.
- $$t = \frac{\text{Tank capacity}}{1000} \times \left[\text{Relief time that is read} \right]$$
- $$= \frac{2000}{1000} \times 23$$
- $$= 46$$
- The result is 46 s.

Construction/Working Principle/Component Parts

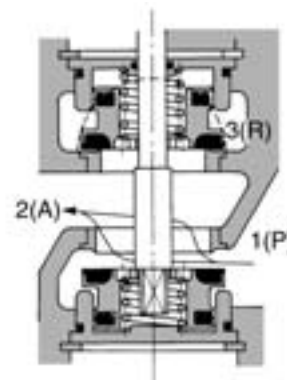
**(1) When Port 2 (A) pressure is high
Relief exhausting**



(2) Setting pressure condition

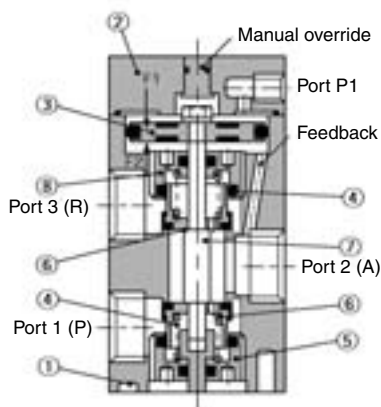


**(3) When Port 2 (A) pressure is low
Pressure reducing supply**

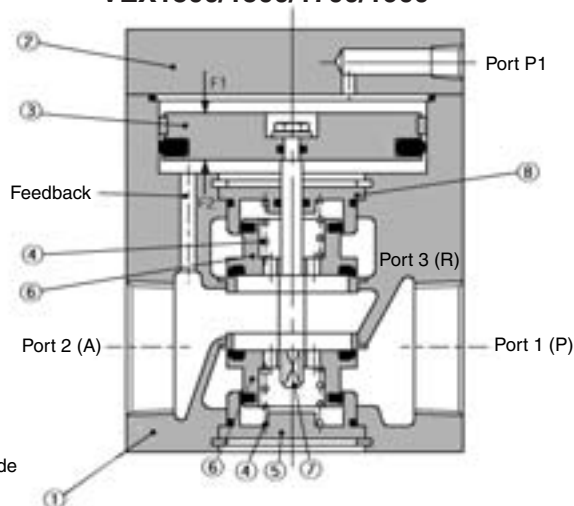


- The balance between the acting force F_1 of the pilot pressure (port P1) over the upper surface of the pressure regulating piston (3) and the acting force F_2 of the pressure at port 2 (A) leading to a space under the piston through the feed back flow root closes a couple of poppet valves (6) and sets port 2 (A) pressure that corresponds to port P1 pressure. The poppet valves are backed up by spring (4) - in the pressure balance structure by means of port 2 (A) pressure. (DRW (2))
- When port 2 (A) pressure exceeds port P1 pressure, F_2 becomes larger than F_1 , and the pressure regulating piston moves upward, opening the upper poppet valves. Thus air is released from port 2 (A) to port 3 (R) (DRW (1)). When port 2 (A) pressure lowers enough to restore the balance with port P1 pressure, the regulator valve returns again to the DRW (2) condition.
- When port 2 (A) pressure is lower than port P1 pressure, F_1 becomes larger than F_2 , and the pressure regulating piston moves downwards, opening the lower poppet valves. Thus air is supplied from port P1 to port 2 (A) (DRW (3)). When port 2 (A) pressure rises enough to restore the balance with port P1 pressure, the regulator valve returns again to the DRW (2) condition.

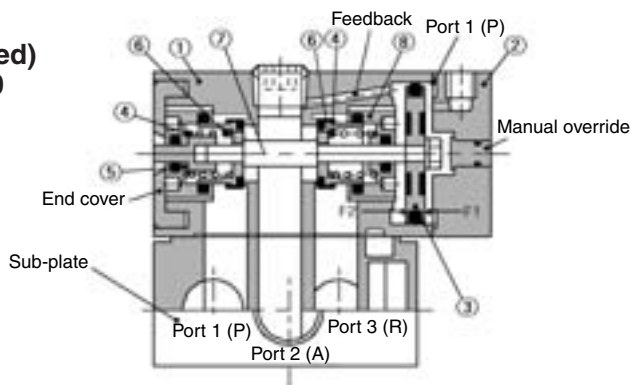
**(Air operated)
VEX1100**



**(Air operated)
VEX1300/1500/1700/1900**



**(Air operated)
VEX1200**



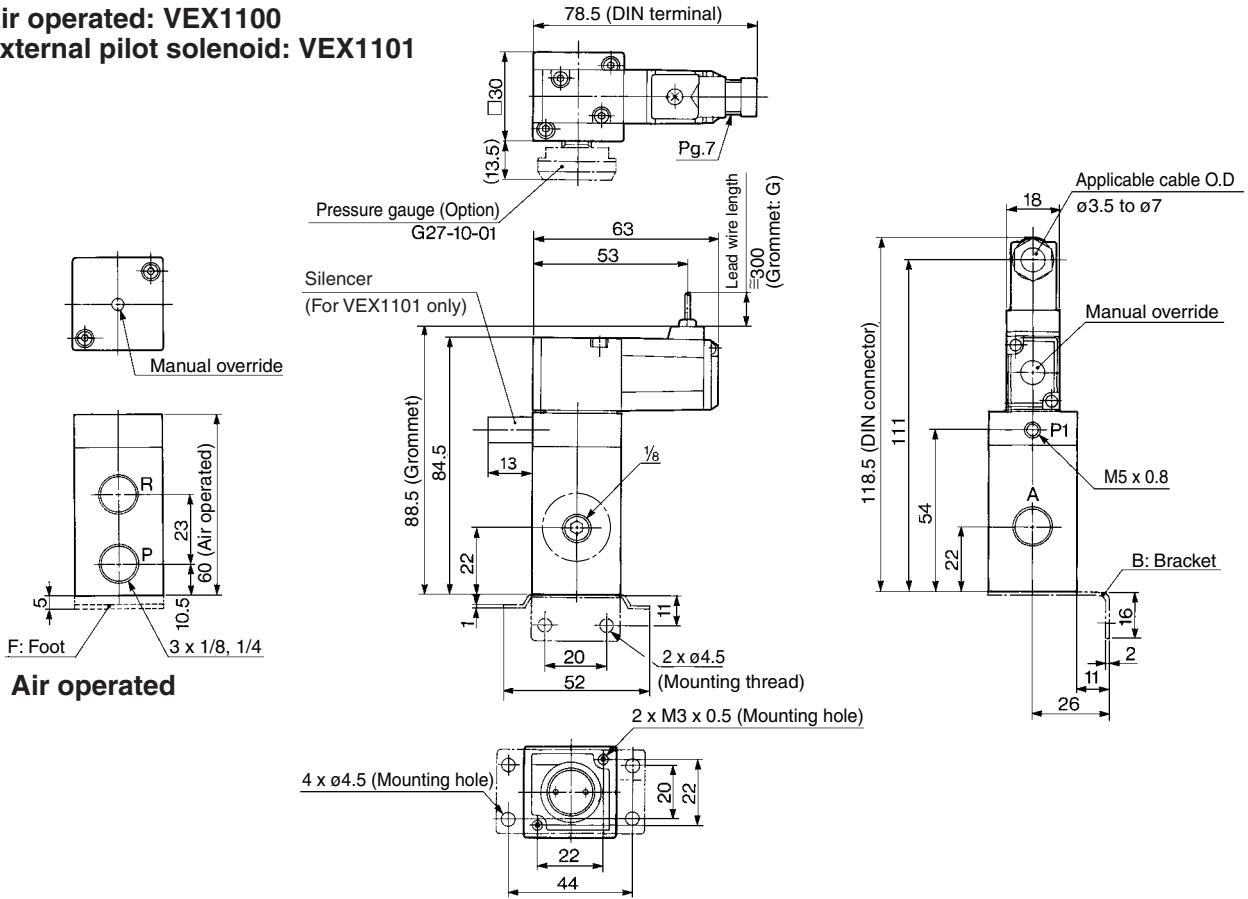
No.	Description	Material
1	Body	Aluminum alloy casted
2	Cover	Aluminum alloy casted
3	Regulation piston	Aluminum alloy
4	Spring	Stainless steel
5	Valve guide	Aluminum alloy
6	Poppet valve	Aluminum alloy, Rubber
7	Shaft	Stainless steel
8	Valve guide	Aluminum alloy



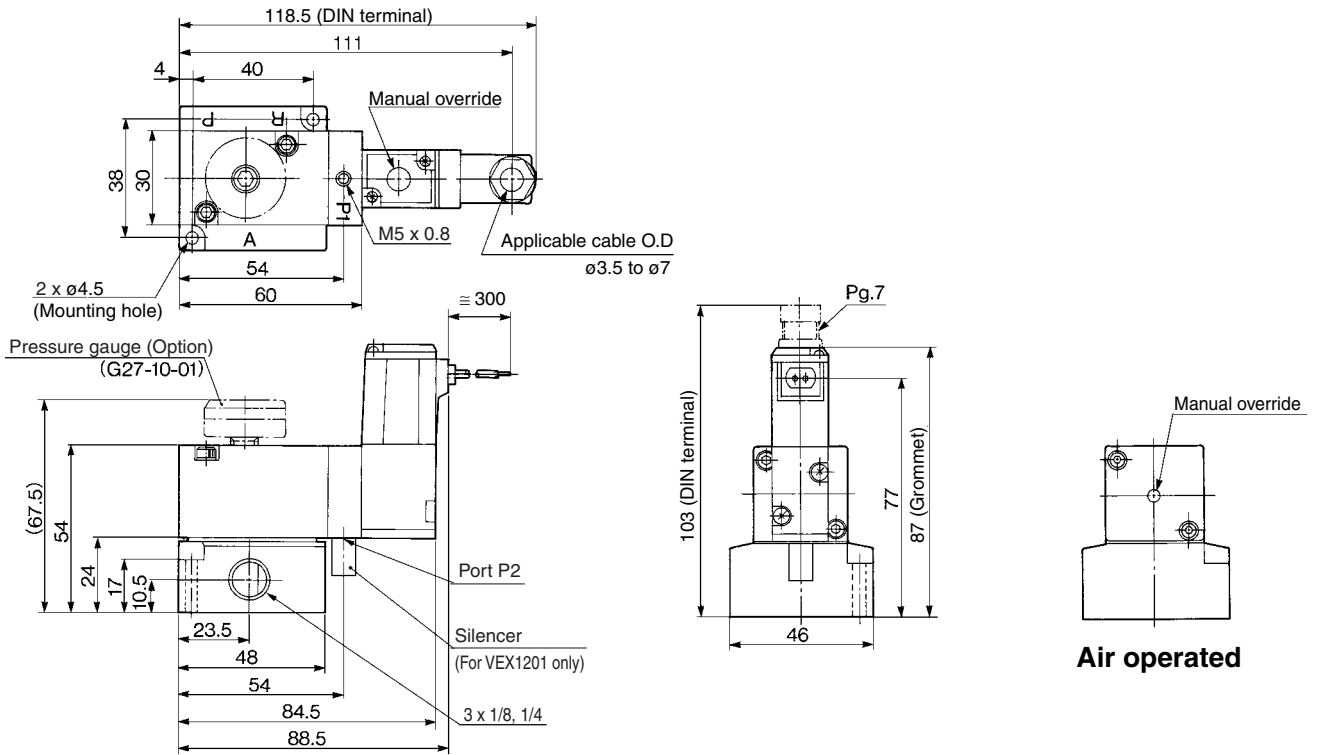
Series VEX1

Dimensions

Air operated: VEX1100
External pilot solenoid: VEX1101

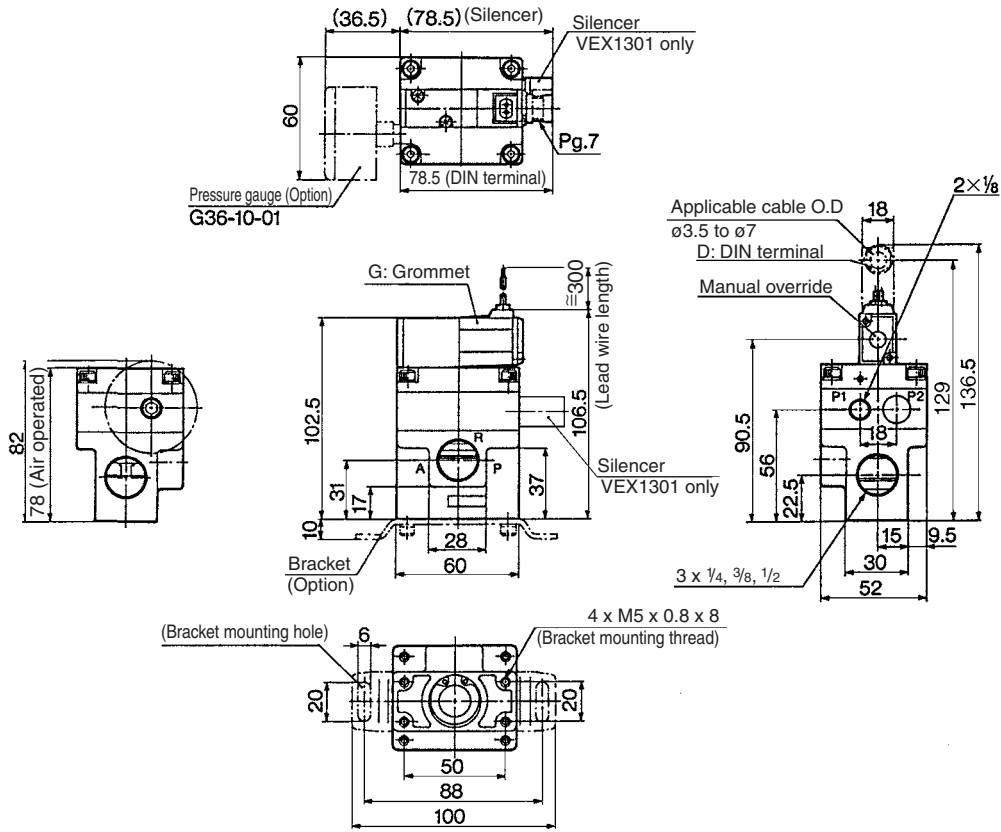


Air operated: VEX1200
External pilot solenoid: VEX1201

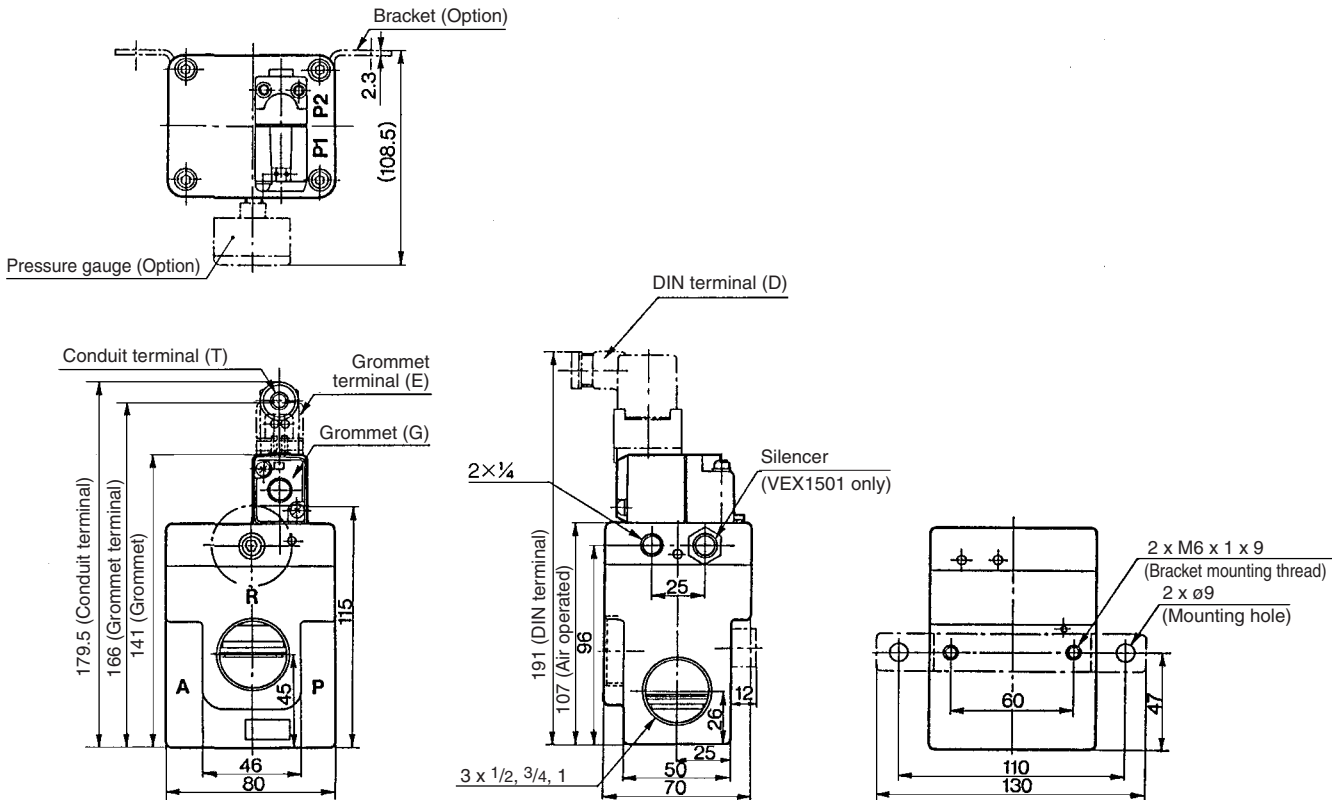


Dimensions

Air operated: VEX1300
External pilot solenoid: VEX1301



Air operated: VEX1500
External pilot solenoid: VEX1501

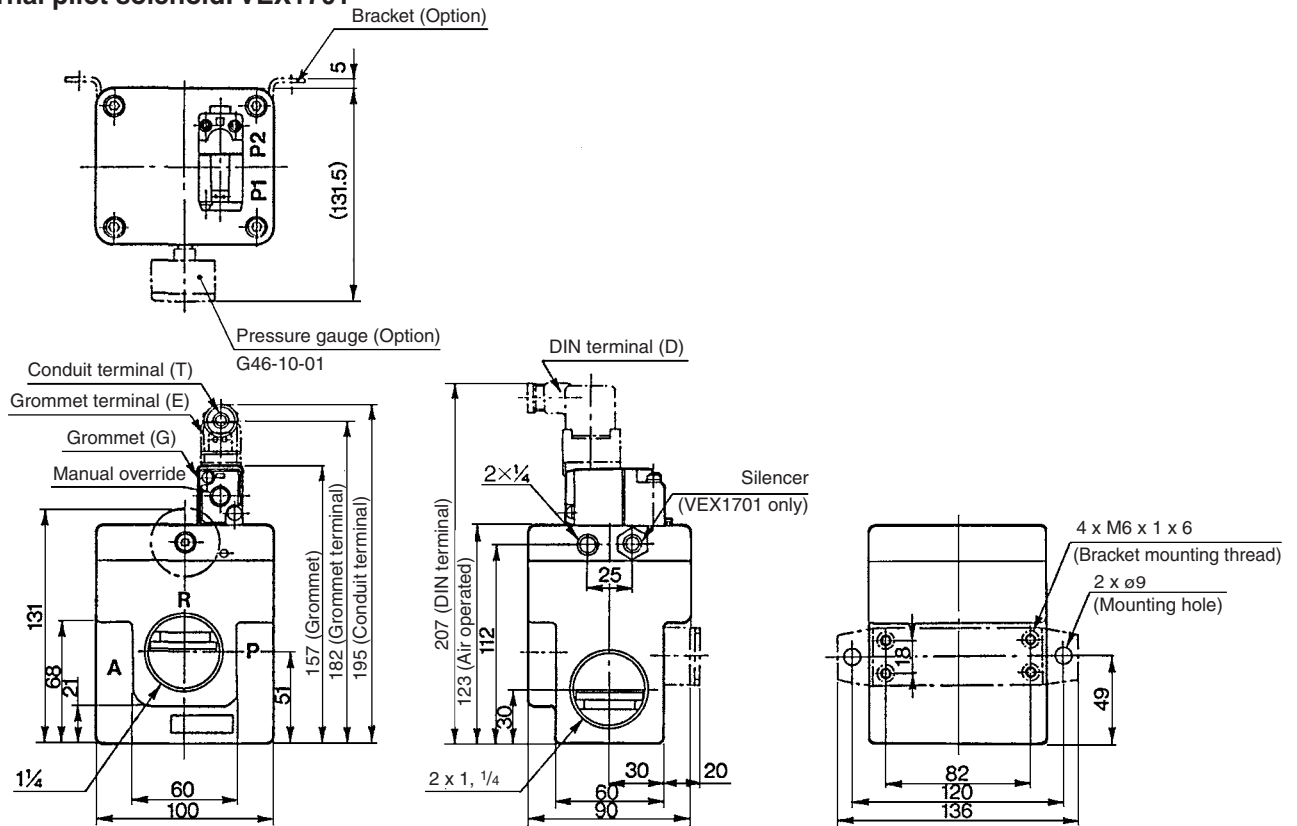


Series VEX1

Dimensions

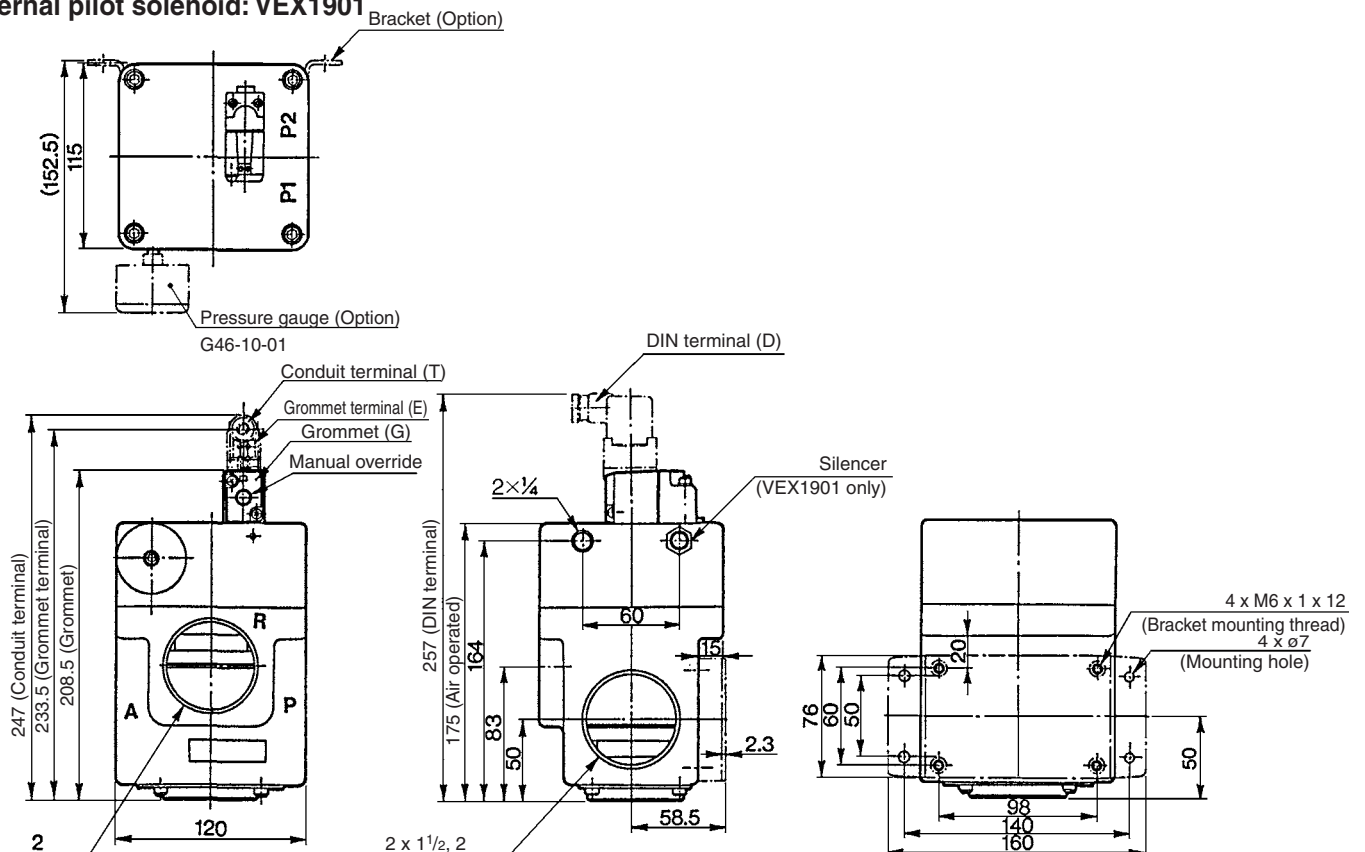
Air operated: VEX1700

External pilot solenoid: VEX1701



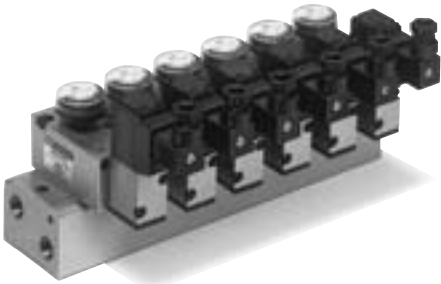
Air operated: VEX1900

External pilot solenoid: VEX1901



Series VEX1

Manifold Specifications



Specifications

Valve stations	2 to 8 ⁽¹⁾
Port specifications	Common SUP, EXH
Port size (Port 1 (P), 2 (A), 3 (R))	Rc, NPTF, G, NPT 1/4
Applicable valve	VEX1200/1201 ⁽²⁾
Applicable blanking plate	VEX1-17 (With gasket and bolts)

Note 1) If there are more than 5 stations, apply pressure from port 1(P) on both sides and exhaust from port 3 (R) on both sides.

Note 2) VEX1200 (air operated) and VEX1201 (external pilot solenoid) are both individual external pilot type. The port P1 on the valve is used as a pilot port, but not the P1 hole on the manifold base.

How to Order

VVEX2-1-6-02

Series VEX1 Manifold Valve stations Thread type

2	2 stations	Nil	Rc
⋮	⋮	F	G
8	8 stations	N	NPT
		T	NPTF

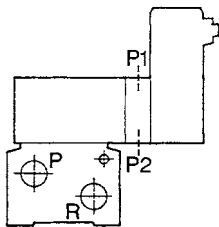
P, A, R port size

02	1/4
----	-----

External Pilot Piping

Valve port	Type	Air operated	External pilot solenoid valve
Applicable valve		VEX1200	VEX1201
P1		External pilot	External pilot
P2		— Note)	Pilot exhaust

Note) Port P2 is not available for VEX 1200



How to Order Manifold

Specify the part numbers for the regulator valve and blanking plates starting from the left of manifold base (After making the port 2 (A) face the front).

(Ex.) VVEX2-1-5-02N..... 1 5 station manifold base, Port thread NPT

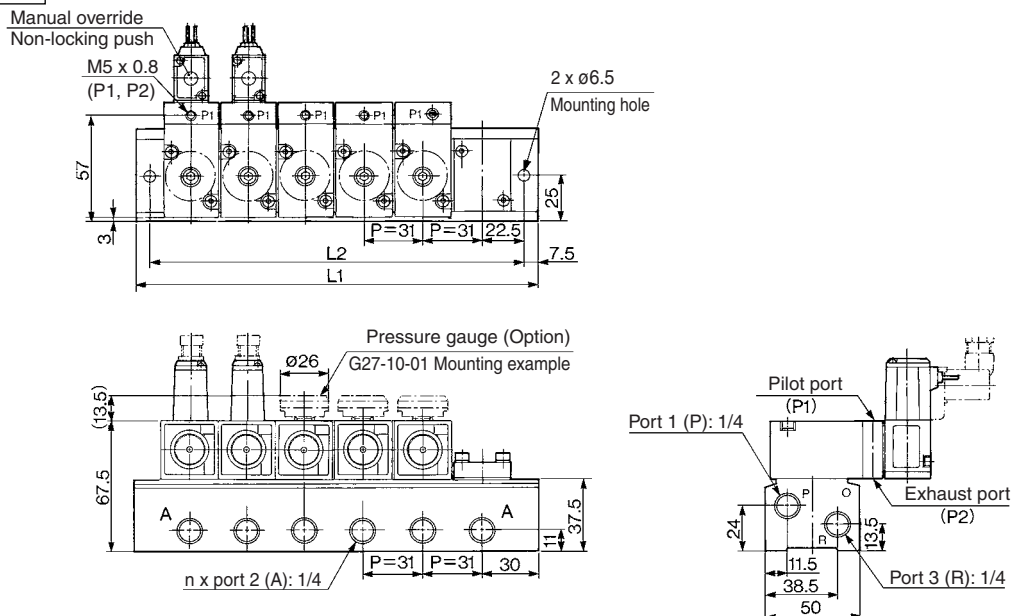
* VEX1201-5DOZ-G..... 4 Regulator valve, External pilot solenoid valve, 24 VDC, DIN terminal (without connector), with light/surge voltage suppressor, Option.... with pressure gauge Note)

* VEX1-17..... 1 Blanking plate

Note) In the case of manifold, pressure gauge: G27-10-01 only (O.D. ø26)

Dimensions

VVEX2-1-1-Station-02



		n: Station							
L	n	2	3	4	5	6	7	8	Formula
L1		91	122	153	184	215	246	277	$L_1 = 31 \times n + 29$
L2		76	107	138	169	200	231	262	$L_2 = 31 \times n + 14$

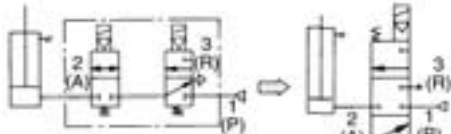
Power Valve: 3 Position Valve Series VEX3

Realize a variety of circuits using simple components.

Intermediate and emergency stops of large-sized cylinders

Intermediate and emergency cylinder stops

The 3 position closed center valve produces a simple and large capacity system.



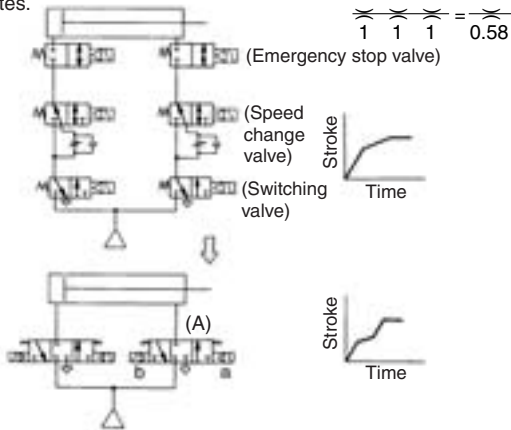
• A large capacity system without connection loss.

$$\frac{1}{1} = \frac{1}{0.71} \quad (\text{Valves and piping can be made smaller.})$$

Terminal deceleration and an intermediate speed change circuit can be produced easily.

The simple system configuration permits sharp response. The large capacity system configuration without connection loss allows the use of smaller valves and piping.

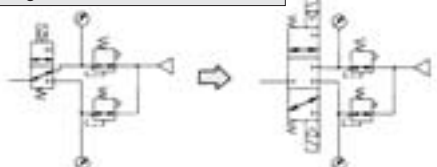
• For example, when solenoid (b) of valve (A) is turned off while the cylinder is extending, the exhaust port closes and cylinder movement decelerates.



Universal porting could be used as a selector/divider valve

The pressure balancing poppet valve that permits any flow direction allows sequential switching operation, preventing blow by and air entrainment.

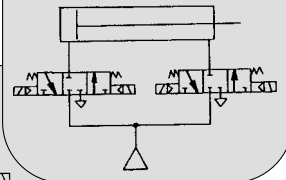
Two-stage directional control selection



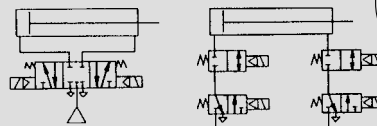
Direction divider



System configuration when using VEX



Conventional system configuration

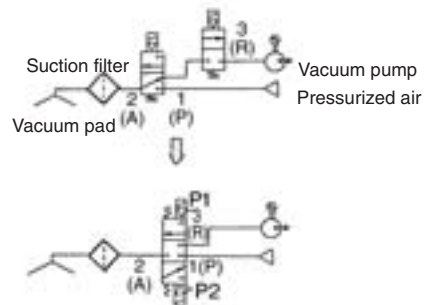


• There were not many suitable large capacity 5 support valves available with a 3 position closed center.

• There were not many suitable 2-port valves for stopping.

Vacuum suction and release

The 3 port, 3 position double solenoid that permits vacuum suction, release, and suspension (closed) is ideal for a system where many valves are used.



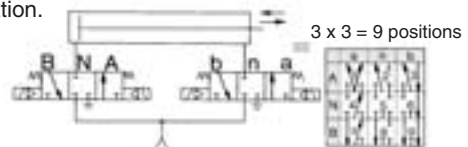
• There is no blow-by when switched from vacuum suction to vacuum release or vice versa.

Caution

• When maintaining the vacuum of port 2 (A), the vacuum may decrease due to leakage from the vacuum pad or piping. Conduct vacuum suction at the vacuum adsorption position. Furthermore, it cannot be used as an emergency cutoff valve.

For operation control of double acting cylinders

Two power valves driven by a double acting cylinder allows operation control in 9 positions (3 positions x 3 positions = 9 positions) including slow stopping, acceleration, and deceleration.



- 3 } — Reciprocation
 - 7 } —
 - 1 — Pressure center
 - 5 — Closed center
 - 9 — Exhaust center
 - 2 } — Pressure & closed center
 - 4 } —
 - 6 } — Exhaust & closed center
 - 8 } —
- } Slow stopping or deceleration

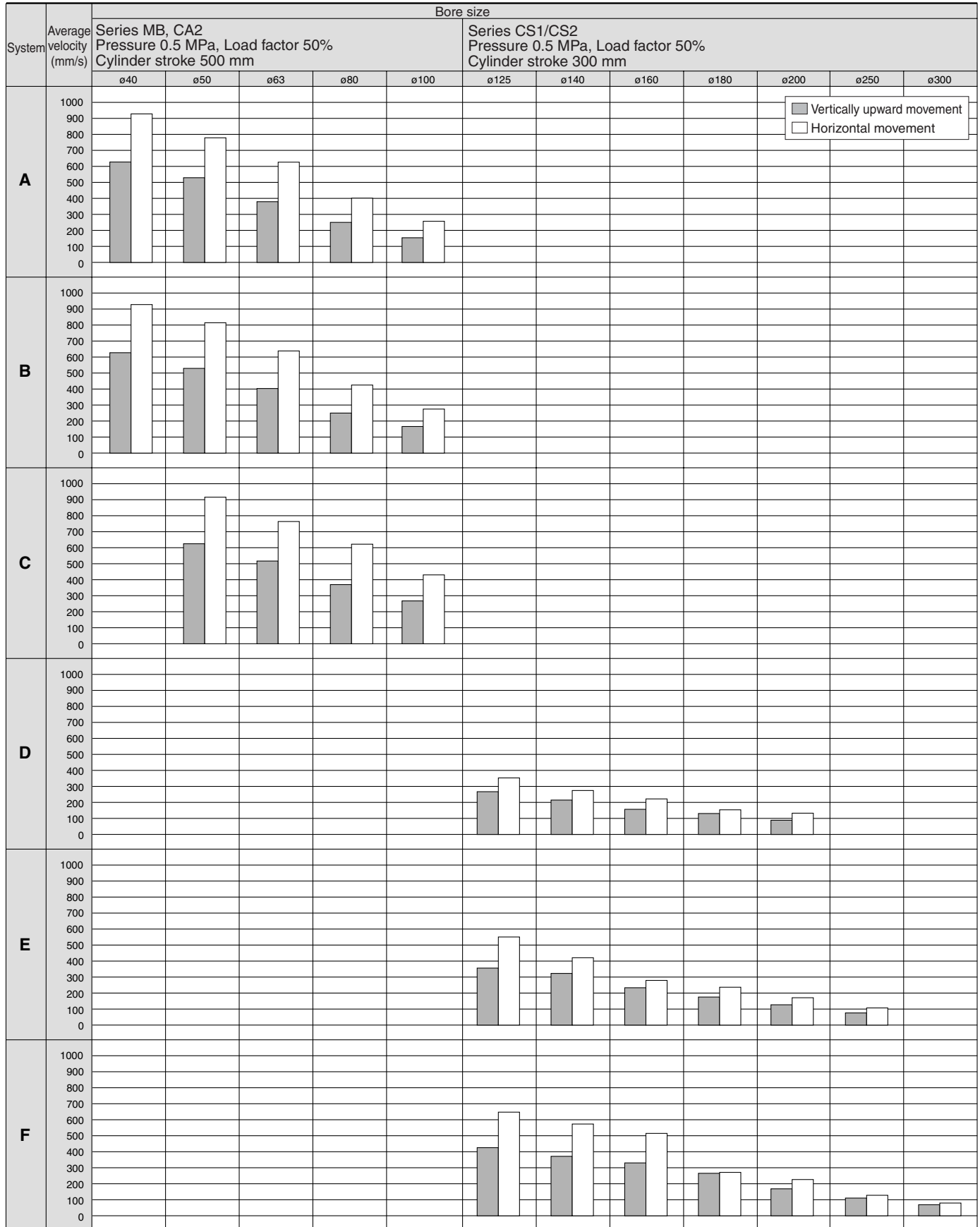
Caution

• This valve is not a non-leak specification, and thus cannot be used for long term intermediate stops or emergency stops.

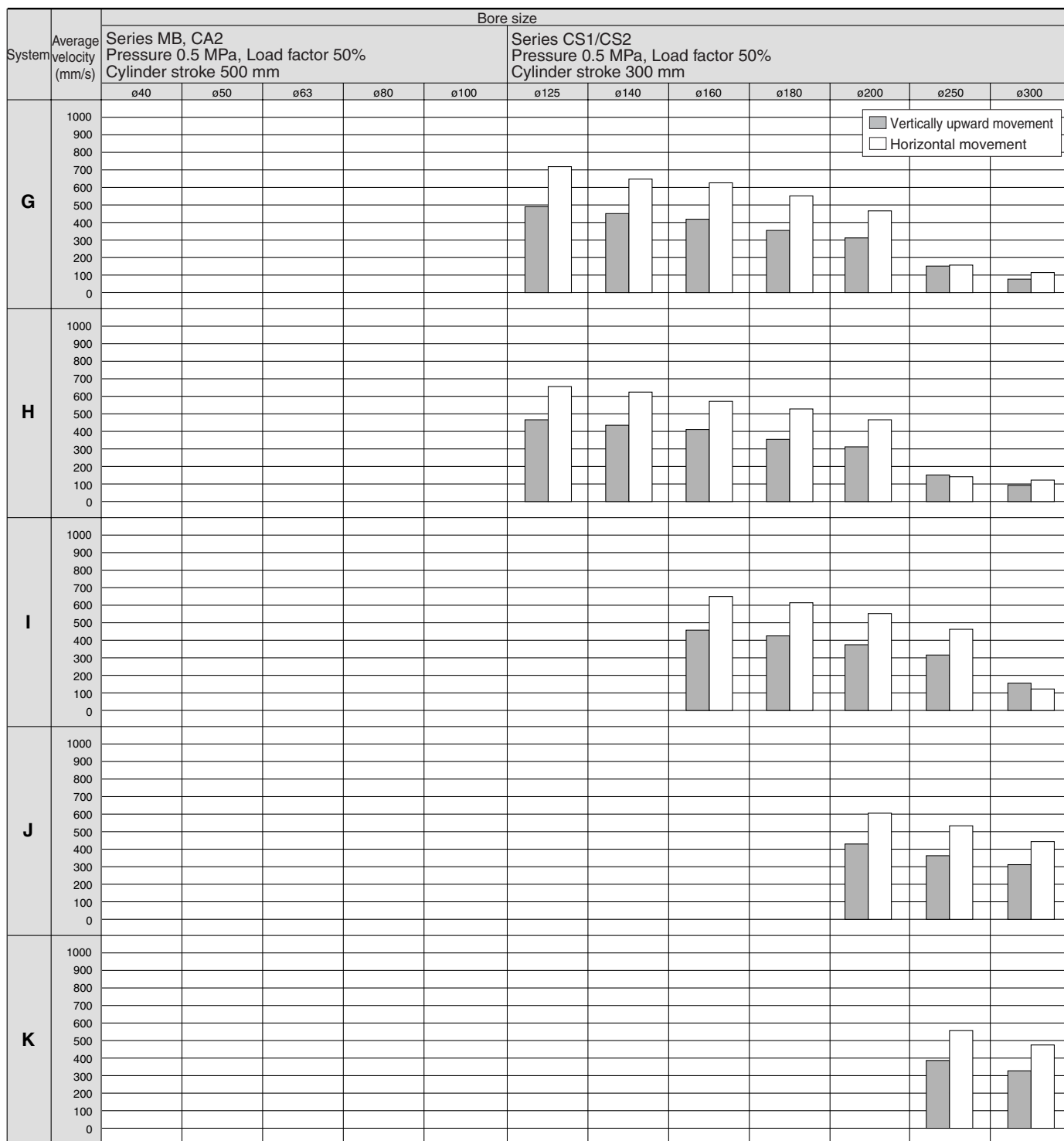
Series VEX3

Cylinder Speed Chart

Please assume the chart is offered as the guideline. For details about various each condition, please make use of SMC Model Selection Software and then decide it.



* When the cylinder is extended, the speed controller is metered-out, is connected with the cylinder directly, and its needle is fully open.
 * Values on the average velocity of a cylinder are obtained from the stroke length divided by full stroke time.
 * Load proportion is ((load weight x 9.8)/theoretical force) x 100%



* When the cylinder is extended, the speed controller is metered-out, is connected with the cylinder directly, and its needle is fully open.
 * Values on the average velocity of a cylinder are obtained from the stroke length divided by full stroke time.
 * Load proportion is ((load weight x 9.8)/theoretical force) x 100%

Conditions of Speed Chart

System	Solenoid valve	Speed controller	Silencer	Tubing diameter x Length
A	VEX3 ₂ ¹ 2□-02	AS4000-02	AN200-02	ø10 x 1 m
B				ø12 x 1 m
C	VEX3 ₄ ³ 2□-03	AS420-03	AN300-03	ø12 x 1 m
D		AS420-04	AN400-04	SGP15A x 1 m
E	VEX350□-04	AS420-04	AN400-04	SGP15A x 1 m
F		AS500-06	AN500-06	SGP20A x 1 m
G	VEX350□-06	AS600-10	AN600-10	SGP25A x 1 m
H		AS600-10	AN600-10	SGP25A x 1 m
I	VEX370□-10	AS800-12	AN700-12	SGP32A x 1 m
J		AS900-14	AN800-14	SGP40A x 1 m
K	VEX390□-14	AS900-20	AN900-20	SGP50A x 1 m

How to Order



Body size	Port size		
	Port	1 (P), 2 (A)	3 (R)
12	01	1/8	
	02	1/4	
32	02	1/4	
	03	3/8	
50	04	1/2	
	06	3/4	
70	10	1	
	12	1 1/4	1 1/4
90	14	1 1/4	
	20	2	

Electrical entry (Only with solenoid)

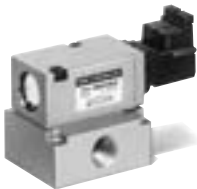
Body size	Symbol	Electrical entry
12 (Note)	G	Grommet, Lead wire length 300 mm
	H	Grommet, Lead wire length 600 mm
	L	L plug connector, lead wire length 300 mm
	LN	L plug connector, without lead wire
	LO	L plug connector, without connector
	M	M plug connector, lead wire length 300 mm
	MN	M plug connector, without lead wire
	MO	M plug connector, without connector
	D	DIN terminal
	DO	DIN terminal, without connector
50	G	Grommet, Lead wire length 300 mm
	H	Grommet, Lead wire length 600 mm
70	E	Grommet terminal
	T	Conduit terminal
90	D	DIN terminal

Body ported

VEX3 12 0 - 01 5 D - B

Base mounted

VEX3 22 0 - 01 5 D - B



Operation type

0	Air operated
1	External pilot solenoid
2	Internal pilot solenoid

Option

(Only bracket or foot may be mounted.)

Nil	None
B	Bracket (Except VEX332□)
F	Foot (VEX312□ and VEX332□ only)
N	Silencer for pilot exhaust (P2) port (Only with solenoid)

Body size • Port size

Body size	Port size		
	Port	1 (P), 2 (A)	3 (R)
22	Nil	Without sub-plate	
	01	1/8	
	02	1/4	
42	Nil	Without sub-plate	
	02	1/4	
	03	3/8	
	04	1/2	

Thread type

Nil	Rc
F	G
N	NPT
T	NPTF

Rated voltage (Only with solenoid)

1	100 VAC (50/60 Hz)
2	200 VAC (50/60 Hz)
3*	110 VAC (50/60 Hz)
4*	220 VAC (50/60 Hz)
5	24 VDC
6*	12 VDC
7*	240 VAC (50/60 Hz)
9*	Other

* Option

Light/Surge voltage suppressor

Nil	None
S	With surge voltage suppressor (Grommet only for a body size of 50 or more)
Z	With light/surge voltage suppressor (Except grommet)

Electrical entry (Note) (Only with solenoid)

Symbol	Electrical entry
G	Grommet, Lead wire length 300 mm
H	Grommet, Lead wire length 600 mm
L	L plug connector, lead wire length 300 mm
LN	L plug connector, without lead wire
LO	L plug connector, without connector
M	M plug connector, lead wire length 300 mm
MN	M plug connector, without lead wire
MO	M plug connector, without connector
D	DIN terminal
DO	DIN terminal, without connector

Note) Refer to page 1974 for individual part numbers of plug and DIN connectors. (Common with Series VZ)

Sub-plate and base gasket part no.

Valve size	2	4																																																
Sub-plate	<p>VEX1-9-1□□P</p> <table border="1"> <thead> <tr> <th colspan="2">Port size</th> <th colspan="2">Thread type</th> </tr> <tr> <th>Symbol</th> <th>Port size</th> <th>Symbol</th> <th>Thread type</th> </tr> </thead> <tbody> <tr> <td>A</td> <td>1/8</td> <td>Nil</td> <td>Rc</td> </tr> <tr> <td>B</td> <td>1/4</td> <td>F</td> <td>G</td> </tr> <tr> <td></td> <td></td> <td>N</td> <td>NPT</td> </tr> <tr> <td></td> <td></td> <td>T</td> <td>NPTF</td> </tr> </tbody> </table>	Port size		Thread type		Symbol	Port size	Symbol	Thread type	A	1/8	Nil	Rc	B	1/4	F	G			N	NPT			T	NPTF	<p>VEX4-2A-□□P</p> <table border="1"> <thead> <tr> <th colspan="2">Port size</th> <th colspan="2">Thread type</th> </tr> <tr> <th>Symbol</th> <th>Port size</th> <th>Symbol</th> <th>Thread type</th> </tr> </thead> <tbody> <tr> <td>A</td> <td>1/8</td> <td>Nil</td> <td>Rc</td> </tr> <tr> <td>B</td> <td>3/8</td> <td>F</td> <td>G</td> </tr> <tr> <td>C</td> <td>1/2</td> <td>N</td> <td>NPT</td> </tr> <tr> <td></td> <td></td> <td>T</td> <td>NPTF</td> </tr> </tbody> </table>	Port size		Thread type		Symbol	Port size	Symbol	Thread type	A	1/8	Nil	Rc	B	3/8	F	G	C	1/2	N	NPT			T	NPTF
Port size		Thread type																																																
Symbol	Port size	Symbol	Thread type																																															
A	1/8	Nil	Rc																																															
B	1/4	F	G																																															
		N	NPT																																															
		T	NPTF																																															
Port size		Thread type																																																
Symbol	Port size	Symbol	Thread type																																															
A	1/8	Nil	Rc																																															
B	3/8	F	G																																															
C	1/2	N	NPT																																															
		T	NPTF																																															
Base gasket	VEX1-11-2	VEX4-4																																																

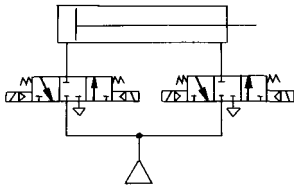
Caution

Refer to front matters 58 and 59 for Safety Instructions and pages 3 to 7 for 3/4/5 Port Solenoid Valve Precautions.

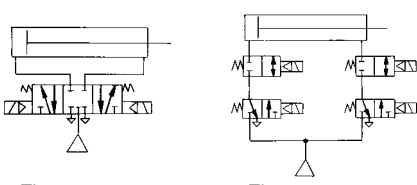
Variety of circuits in simple construction

3 position valve suitable for intermediate and emergency stop of large size cylinder.

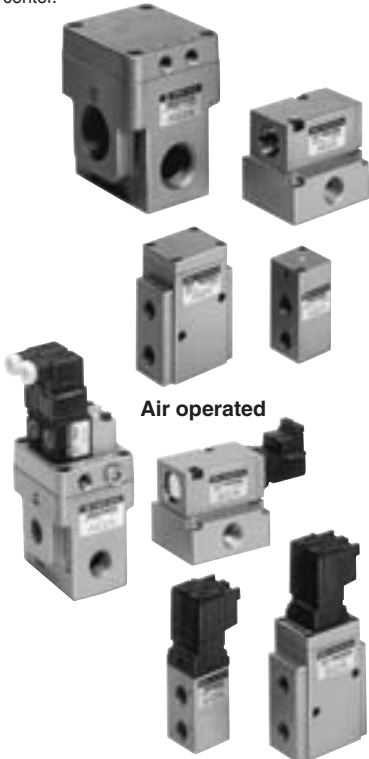
System construction with VEX



Conventional system construction



- There were not many suitable large capacity 5 port valves available with a 3 position closed center.
- There were not many suitable large capacity 2 port valves available for stopping operations.



Air operated

Specifications

Model	Body ported	VEX312□-01-02	VEX332□-02-03-04	VEX350□-04-06-10	VEX370□-10-12	VEX390□-14-20
	Base mounted	VEX322□-01-02	VEX342□-02-03-04	—	—	—
Operation type		Air operated, External pilot solenoid, Internal pilot solenoid				
Fluid		Air				
Pressure range	Air operated	Main pressure Low vacuum to 1.0 MPa				
		External pilot pressure 0.2 to 1.0 MPa				
	External pilot solenoid	External pilot pressure 0.2 to 0.7 MPa		External pilot pressure 0.2 to 0.9 MPa		
	Internal pilot solenoid	Main pressure 0.2 to 0.7 MPa		Main pressure 0.2 to 0.9 MPa		
Ambient and fluid temperature		0 to 50°C (Air operated 60°C)				
Response time (Pilot pressure 0.5 MPa)		40 ms or less		60 ms or less		
Max. operating frequency		3 cycles/sec.				
Mounting		Free				
Lubrication		Not required (Use turbine oil Class 1 ISO VG32, if lubricated.)				

Note) Non-lubricated specifications are not available for this product.

Pilot Solenoid Valve Specifications

Model	VEX3121, VEX3221, VEX3321, VEX3421 VEX3122, VEX3222, VEX3322, VEX3422	VEX3501, VEX3701, VEX3901 VEX3502, VEX3702, VEX3902		
Pilot valve	Exclusive pilot valve	VO307-□□□		
Electrical entry	Grommet, L plug connector, M plug connector, DIN terminal	Grommet, Grommet terminal, Conduit terminal, DIN terminal		
Coil rated voltage (V)	AC(50/60Hz) DC	100V, 110V, 200V, 220V, 240V 6V, 12V, 24V, 48V		
Temperature rise		-15 to +10% of rated voltage		
Apparent power	AC	Inrush	4.5 VA/50 Hz, 4.2 VA/60 Hz	12.7 VA (50 Hz), 10.7 VA (60 Hz)
		Holding	3.5 VA/50 Hz, 3 VA/60 Hz	7.6 VA (50 Hz), 5.4 VA (60 Hz)
Power consumption	DC	1.8 W (Without indicator light), 2.1 W (With indicator light)	4.8 W (Without indicator light), 5 W (With indicator light)	
Manual override		Non-locking push type	Non-locking push type	

Note) When replacing the pilot valves specified for valve sizes 1 to 4, please request SMC to replace them at the factory.

Option

Description		Part no.						
		VEX312□-01-02	VEX322□-01-02	VEX332□-02-03-04	VEX342□-02-03-04	VEX350□-04-06-10	VEX370□-10-12	VEX390□-14-20
Bracket (With bolt and washer)	B	VEX1-18-1A	—	—	—	VEX5-32A	VEX7-32A	VEX9-32A
Foot (With bolt and washer)	F	VEX1-18-2A	—	VEX3-32-2A	—	—	—	—
Pilot exhaust port P2 silencer <small>Note)</small>	N	AN120-M5		AN103-01		AN210-02		

Note) Only with solenoid.

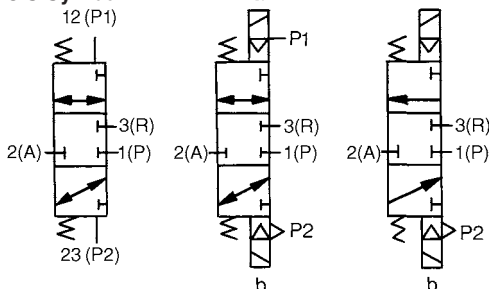
Mass

(kg)

Model	VEX312□-01-02	VEX322□-01-02	VEX332□-02-03-04	VEX342□-02-03-04	VEX350□-04-06-10	VEX370□-10-12	VEX390□-14-20
Air operated	0.1	0.2	0.3	0.6	1.4	2.1	3.3
Solenoid	0.2	0.3	0.4	0.7	1.6	2.3	3.5

Internal pilot solenoid/External pilot solenoid

JIS Symbol



Air operated External pilot solenoid Internal pilot solenoid

Series VEX3

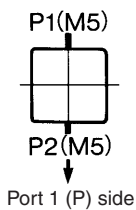
Flow Characteristics

Model	Port size	Flow characteristics												
		1 (P) → 2 (A)			2 (A) → 1 (P)			3 (R) → 2 (A)			2 (A) → 3 (R)			
		C[dm ³ /(s·bar)]	b	Cv	C[dm ³ /(s·bar)]	b	Cv	C[dm ³ /(s·bar)]	b	Cv	C[dm ³ /(s·bar)]	b	Cv	
Body ported	VEX312□-01	1/8	2.4	0.19	0.59	2.4	0.31	0.59	2.3	0.36	0.59	2.5	0.22	0.61
	VEX312□-02	1/4	3.5	0.35	0.89	3.3	0.49	0.89	3.1	0.46	0.89	3.5	0.33	0.93
	VEX332□-02	1/4	4.1	0.36	1.1	4.3	0.42	1.1	4.1	0.41	1.1	4.6	0.25	1.2
	VEX332□-03	3/8	8.7	0.29	2.2	7.9	0.52	2.2	7.8	0.51	2.4	8.7	0.33	2.4
	VEX332□-04	1/2	9.8	0.37	2.7	9.6	0.52	2.7	9.1	0.53	3.0	11	0.37	3.0
Base mounted (With sub-plate)	VEX350□-04	1/2	24	0.32	6.4	24	0.30	6.4	25	0.31	6.4	22	0.27	5.7
	VEX322□-01	1/8	3.3	0.34	0.86	3.5	0.39	0.86	3.3	0.37	0.86	3.5	0.36	0.87
	VEX322□-02	1/4	4.1	0.28	0.99	4.1	0.39	0.99	3.8	0.38	0.97	4.4	0.23	1.1
	VEX342□-02	1/4	8.1	0.34	2.0	7.9	0.39	2.0	8.2	0.33	2.1	8.1	0.37	2.2
	VEX342□-03	3/8	12	0.26	3.2	12	0.29	3.2	12	0.28	3.1	13	0.28	3.3
VEX342□-04	1/2	13	0.20	3.3	13	0.24	3.3	12	0.29	3.2	14	0.20	3.3	

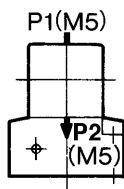
Model	Port size	Effective area (mm ²)	Cv	
Body ported	VEX350□-06	3/4	160	8.9
	VEX350□-10	1	180	10
	VEX370□-10	1	300	17
	VEX370□-12	1 1/4	330	18
	VEX390□-14	1 1/2	590	33
	VEX390□-20	2	670	37

External Pilot Piping

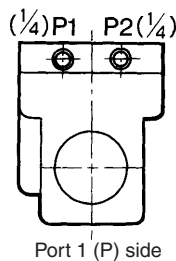
VEX312□



VEX322□



VEX350□
VEX370□
VEX390□



Port	VEX3□□0	VEX3□□1	VEX3□□2
P1	External pilot	External pilot	Plug
P2	External pilot	Pilot exhaust	Pilot exhaust

⚠ Caution

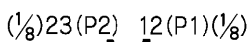
● VEX3₄³₂¹ (Solenoid)

When the VEX3240 air operated power valve is delivered from our factory, the M5 threaded pilot port P2 in the cover is open and the 1/8 pilot port in the sub-plate is plugged. When port P2 on the body^{Note} is used as a pilot exhaust port, remove the 1/8 plug and put the M5 plug into the pilot valve port P2 to cover it.

Note) Body for VEX332₂¹, sub-plate for VEX342₂¹

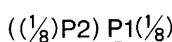
VEX3320

Air operated



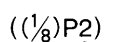
VEX3321

External pilot solenoid



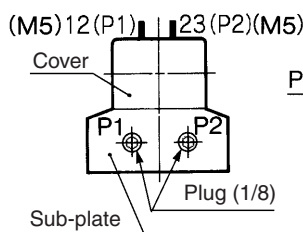
VEX3322

Internal pilot solenoid



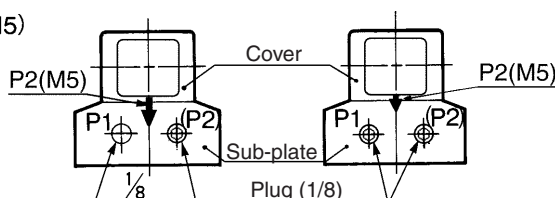
VEX3420

Air operated
for sub-plate



VEX3421

External pilot solenoid
for subplate

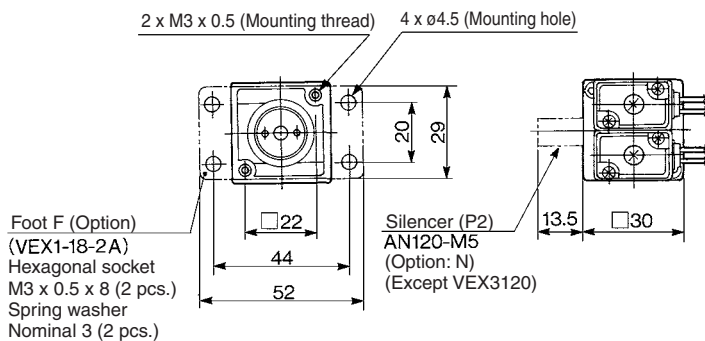


VEX3422

Internal pilot solenoid
for subplate

Body Ported: VEX312□

Air operated: VEX3120 External pilot solenoid: VEX3121 Internal pilot solenoid: VEX3122



A perspective drawing

DIN terminal (D)

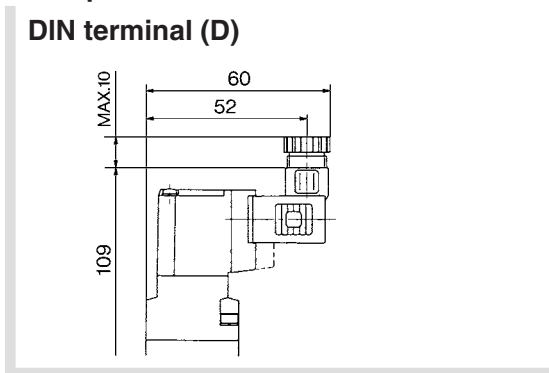
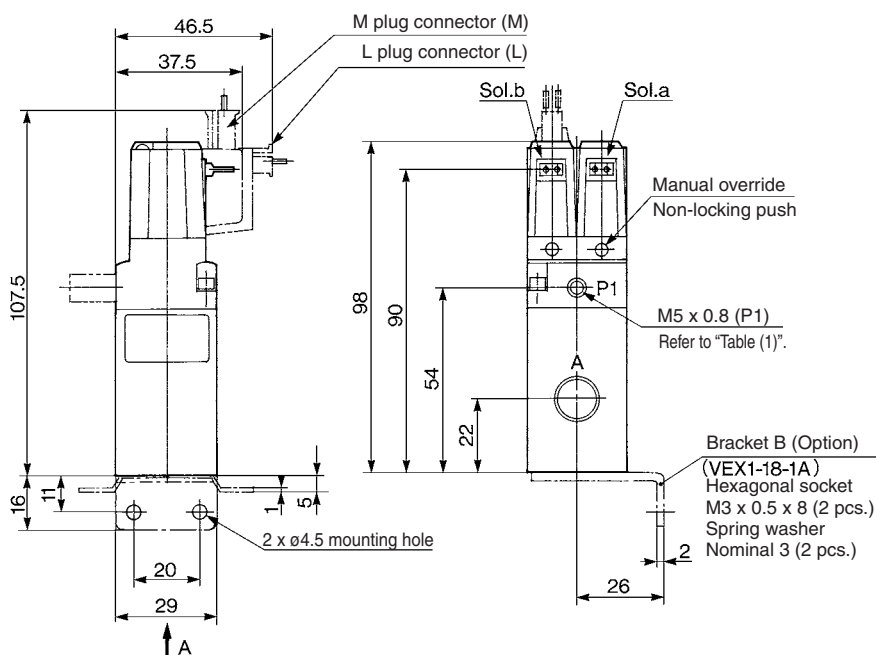
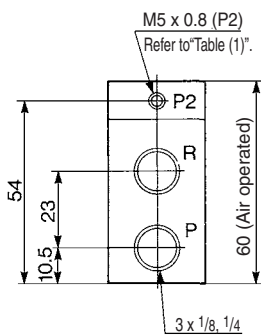


Table (1) With/Without Plug for M5 Port

Model	P1	P2
VEX3120	None	None
VEX3121	None	None
VEX3122	With plug	None



⚠ Caution

How to Use Plug Connector Applicable Model: VEX312₂¹/322₂¹/332₂¹/342₂¹

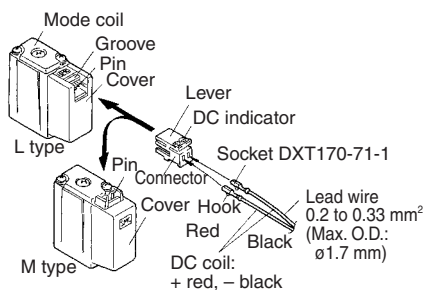
Attaching/Detaching of a plug

1. To install the connector

Push the connector straight on the pins of the solenoid, making sure the lip of the lever is securely positioned in the groove on the solenoid cover.

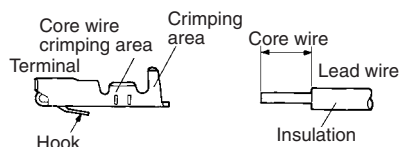
2. To deinstall the connector

Press the lever against the connector and pull the connector away straight from the solenoid.



Crimping lead wire and socket

Peel 3.2 to 3.7 mm of the tip of the lead wire, enter the core wires neatly into a socket and press contact it with a press tool. Be careful so that the cover of lead wire does not enter into the core press contacting part. (Press contacting tool: No. DXT 170-75-1)



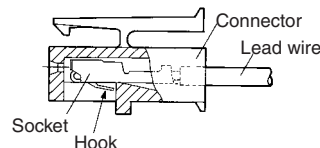
Attaching/Detaching of a socket with lead wire

1. Attaching

Insert a socket into the square hole (indicated at +, -) of connector, push fully the lead wire and lock by hanging the hook of a socket to the seat of connector. (Pushing in can open the hook and lock it automatically.) Then confirm the locking by lightly pulling on the lead wire.

2. Detaching

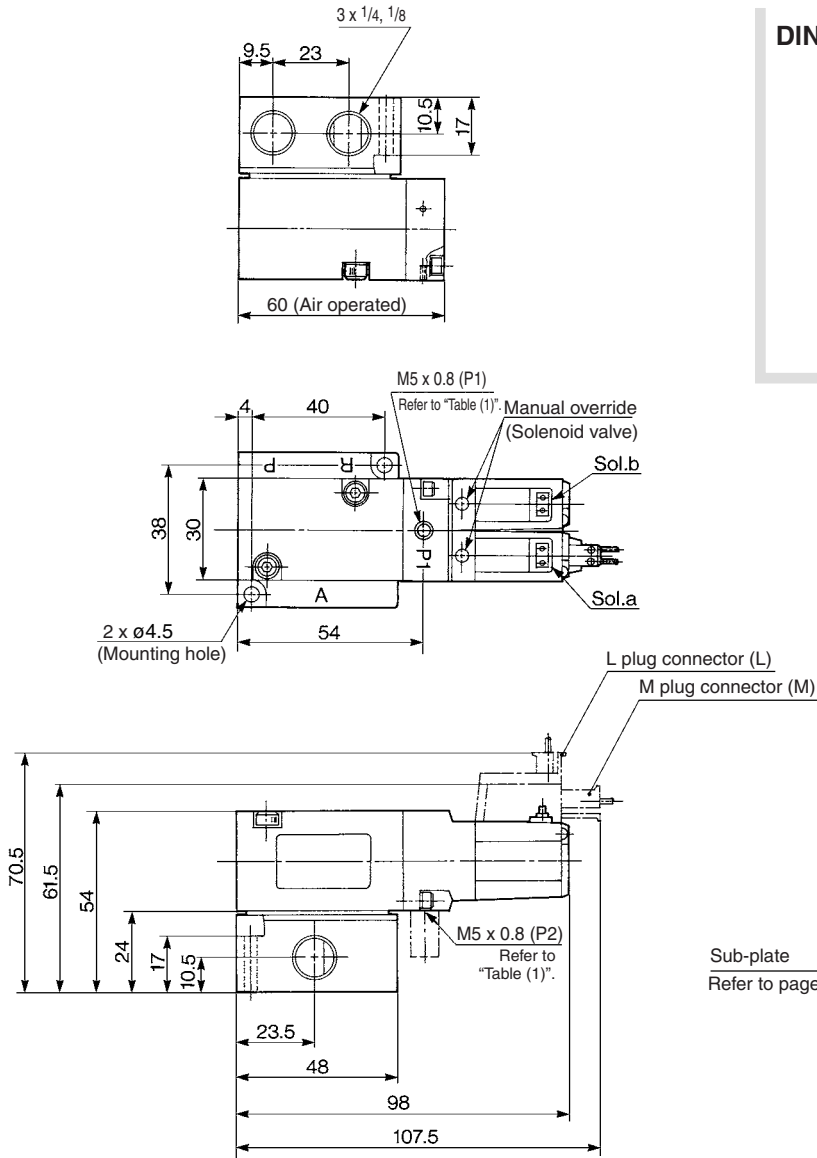
For pulling out a socket from connector, pull out the lead wire while pushing the hook of a socket with a stick with a fine point (1 mm). If a socket is to be re-used as it is, return the hook to the outside.



Series VEX3

Base Mounted: VEX322□

Air operated: VEX3220 External pilot solenoid: VEX3221 Internal pilot solenoid: VEX3222



DIN terminal (D)

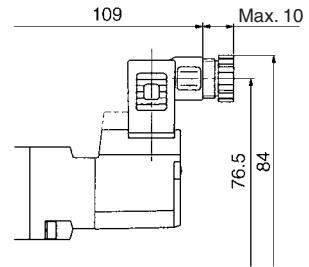
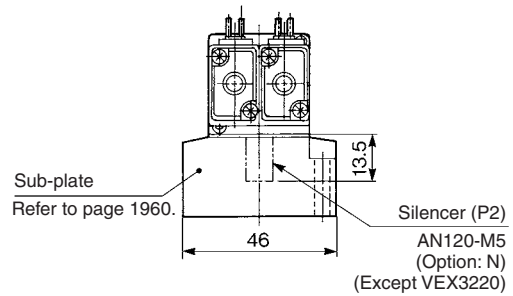


Table (1)
With/Without Plug for M5 Port

Model	P1	P2
VEX3220	None	None
VEX3221	None	None
VEX3222	With plug	None



⚠ Caution

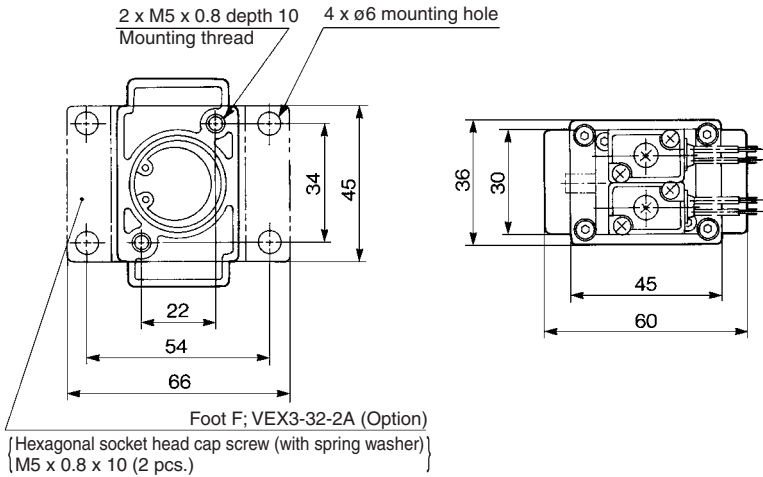
How to Use DIN Connector



Refer to page 1974.

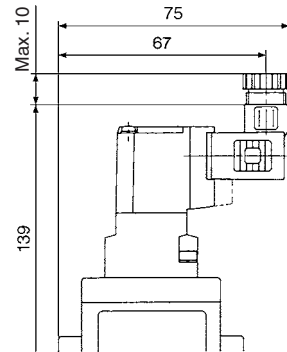
Body Ported: VEX332

Air operated: VEX3320 External pilot solenoid: VEX3321 Internal pilot solenoid: VEX3322



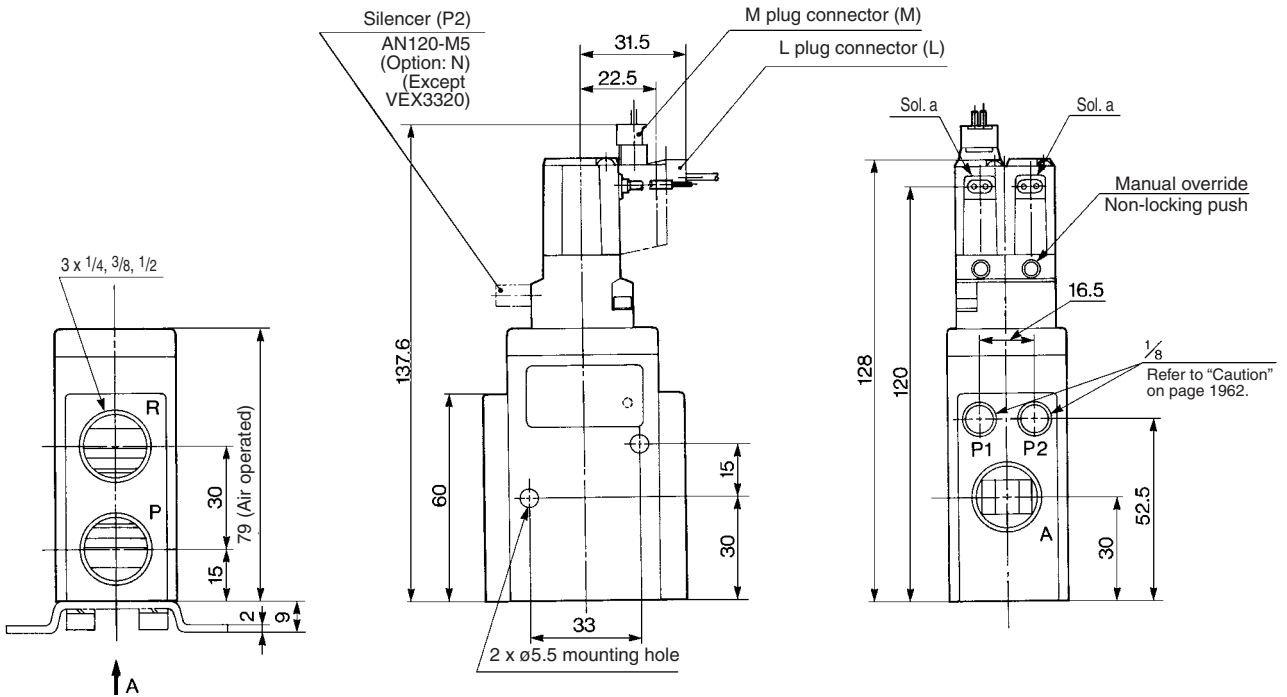
A perspective drawing

DIN terminal (D)



**Table (1)
With/Without Plug for 1/8 Port**

Model	P1	P2
VEX3320	None	None
VEX3321	None	With plug
VEX3322	With plug	With plug



Series VEX3

Base Mounted: VEX342□

Air operated: VEX3420 External pilot solenoid: VEX3421 Internal pilot solenoid: VEX3422

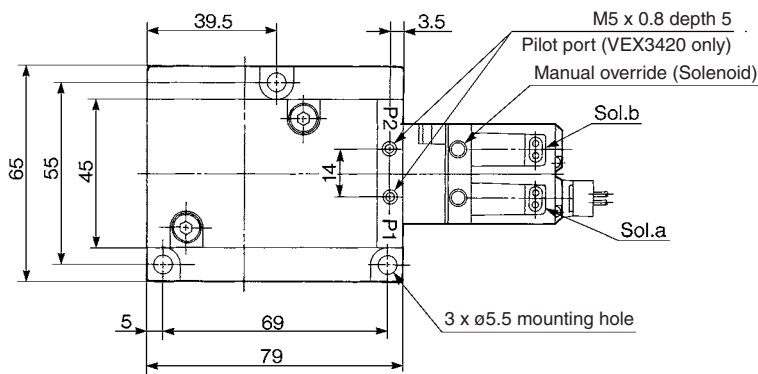
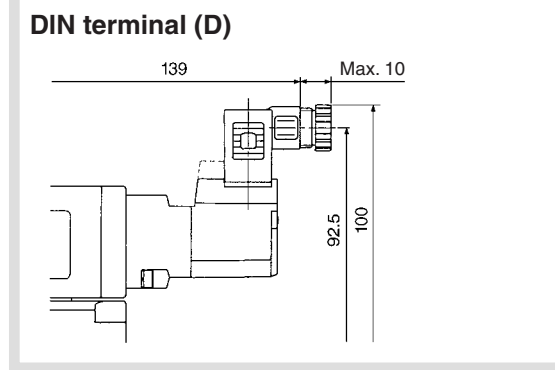
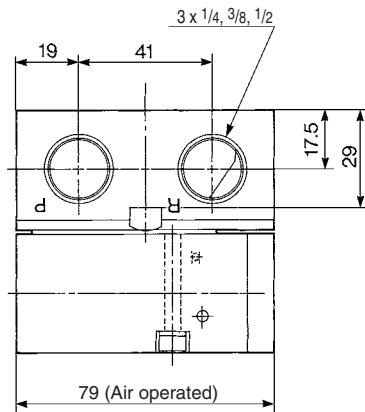
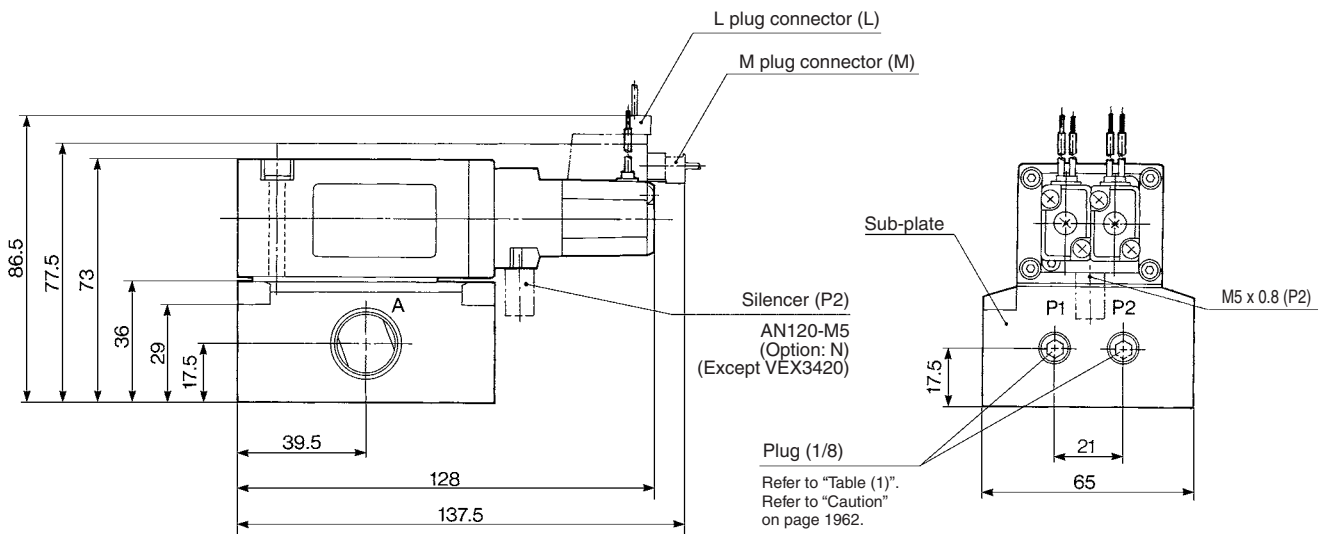


Table (1)
With/Without Plug for Sub-plate

Model	P1	P2
VEX3420	With plug	With plug
VEX3421	None	With plug
VEX3422	With plug	With plug



Body Ported: VEX350□/370□

Air operated: VEX3500/3700 External pilot solenoid: VEX3501/3701 Internal pilot solenoid: VEX3502/3702

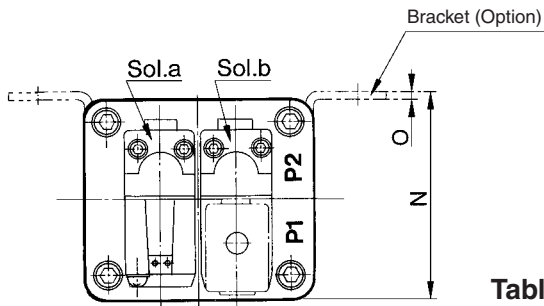
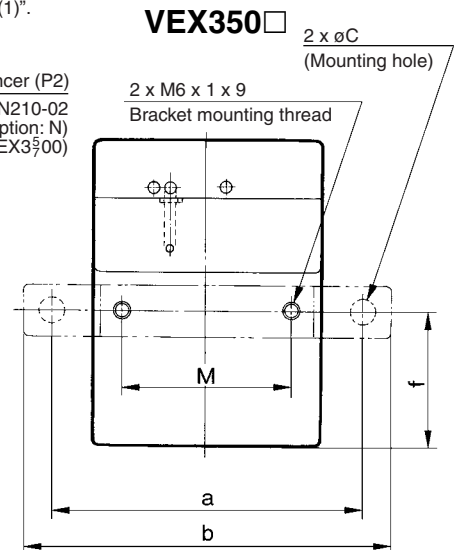
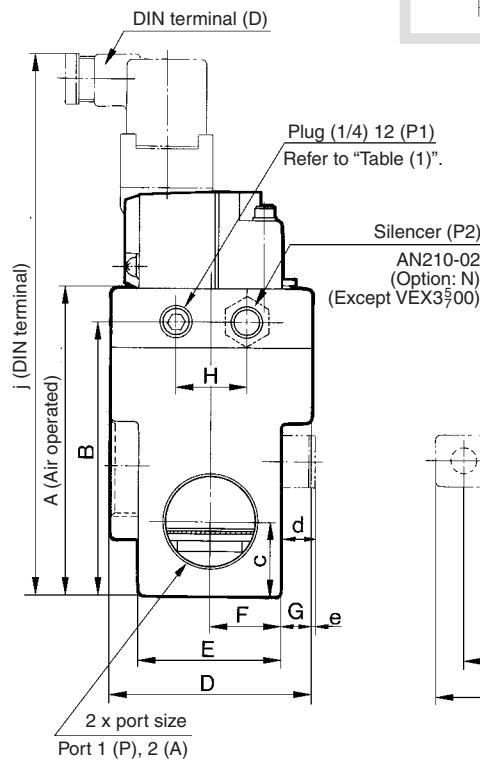
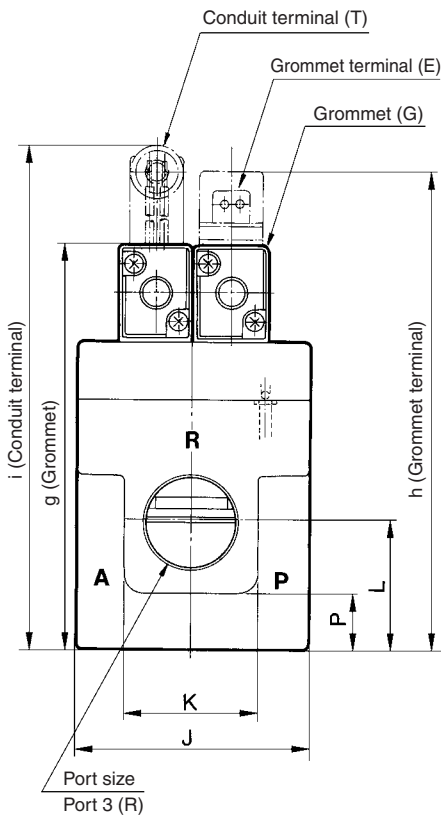
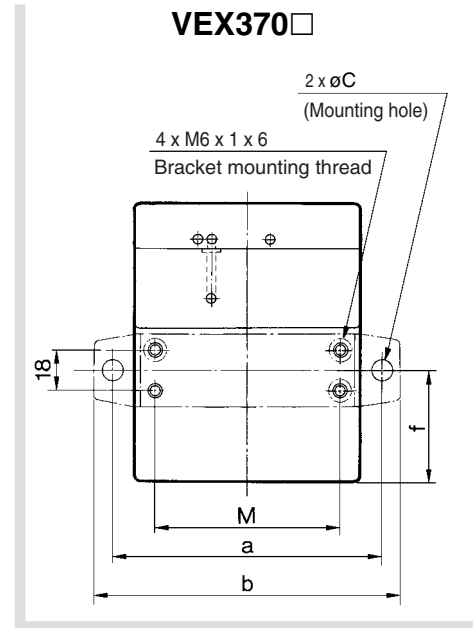


Table (1)
With/Without Plug for 1/4 Port

Model	P1	P2
VEX3500	None	None
VEX3501	None	None
VEX3502	With plug	None



Dimensions

Model	Port size			A	B	C	D	E	F	G	H	J	K	L	M	N	O
	1 (P), 2 (A)	3 (R)															
VEX350□	1/2, 3/4, 1			107	96	26	70	50	25	10	25	80	46	45	60	72	2.3
VEX370□	1, 1 1/4	1 1/4		123	112	30	90	60	30	15	25	100	60	51	82	95	2.3

Model	Bracket						Grommet	Grommet terminal	Conduit terminal	DIN terminal
	a	b	øc	d	e	f				
VEX350□	110	130	9	12	2	47	140.5	166	179.5	191
VEX370□	120	136	9	20	5	49	156.5	182	195	207

VEX

Series VEX3

Base Mounted: VEX390□

Air operated: VEX3900 External pilot solenoid: VEX3901 Internal pilot solenoid: VEX3902

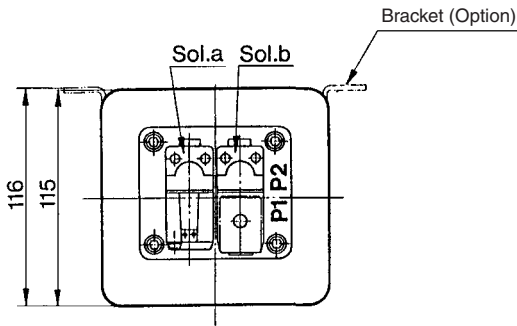
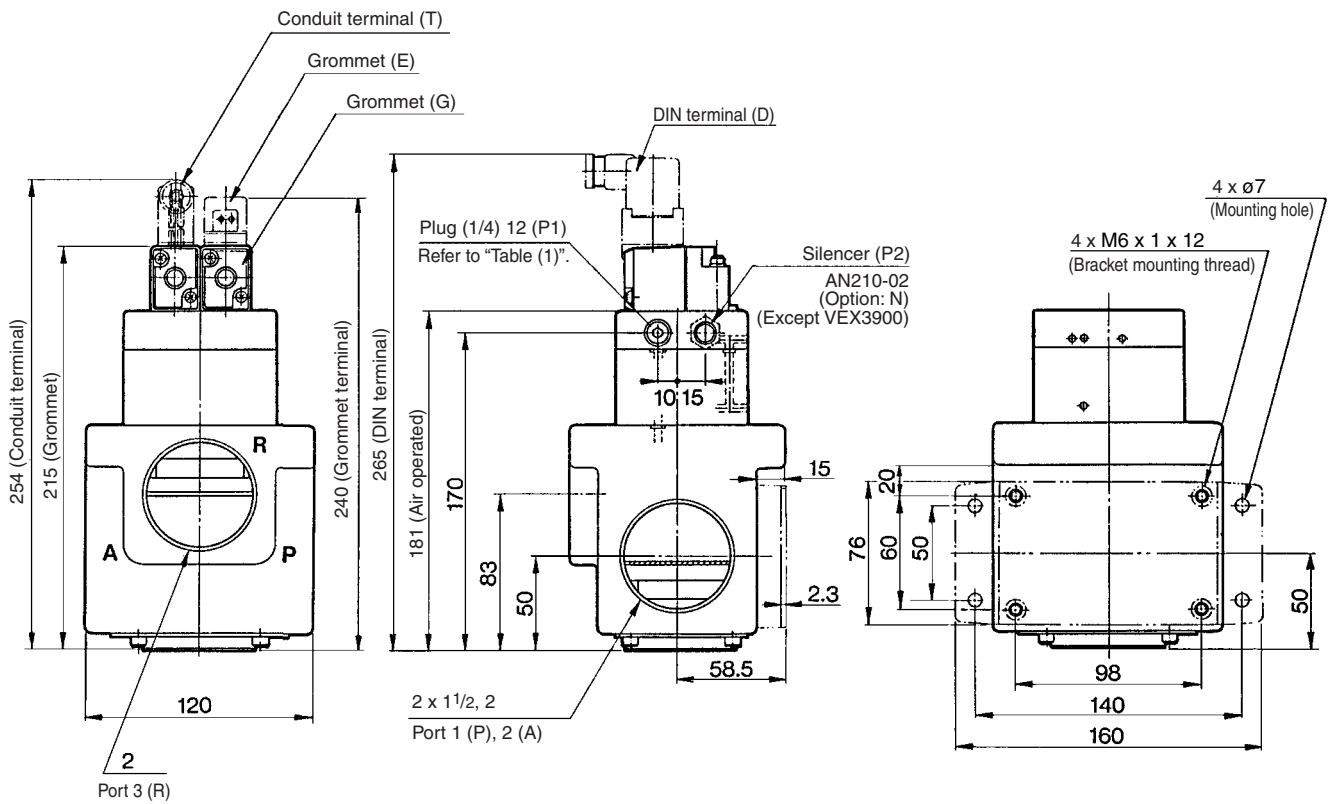


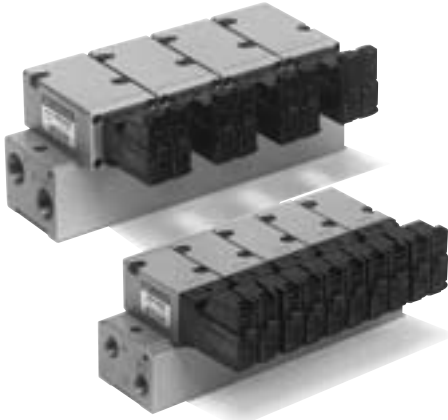
Table (1)
With/Without Plug for 1/4 Port

Model	P1	P2
VEX3900	None	None
VEX3901	None	None
VEX3902	With plug	None



Series VEX3 Manifold Specifications

Manifold: Series VVEX



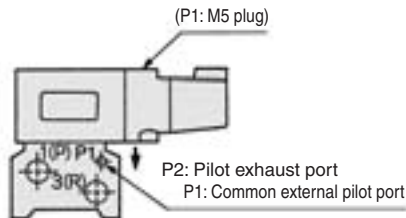
Specifications

Model	VVEX2	VVEX4		
Applicable valve	VEX3220/VEX3222	VEX3420/VEX3422		
Valve stations (Note)	2 to 8	2 to 6		
Port specifications	Common SUP, EXH			
Pilot type	Internal pilot, Common external pilot			
Common external pilot port size	M5 x 0.8 Length of thread 5			
Port size	1 (P)	1/4	3/8	1/2
	3 (R)		3/8	3/8
	2 (A)		1/4	3/8
Applicable blanking plate	VEX1-17 (With gasket, screw)	VEX4-5 (With gasket, screw)		

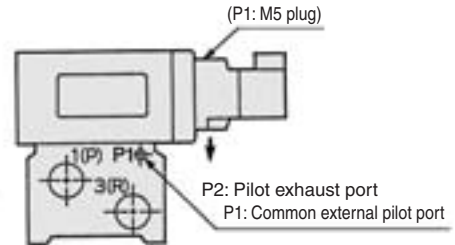
Note) When series VVEX2 is used with more than 5 stations, or Series VVEX4 is used with more than 4 stations, apply pressure to the port 1 (P) on both sides and exhaust from the port 3 (R) on both sides.

Common External Pilot Piping

VVEX2-2

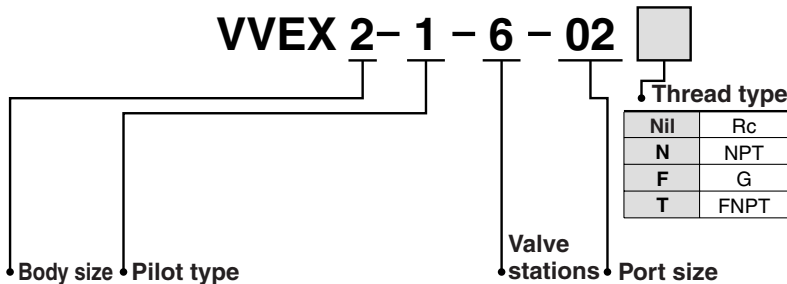


VVEX4-2



How to Order Manifold Base

VVEX 2-1-6-02



Note) Air operated

VEX 3220 and VEX3420 (air operated) are used. Distinction between the pilots (internal or external pilot) of the manifold base does not matter. Either may be used.

Example for ordering a manifold base:

The valve and blank plate for manifold arrangement should be specified in order from the left side of the manifold base (with the port 2 (A) on your side).

(Example)
 VVEX2-2-7-02N
 *VEX3222-1LN 6 pcs. } Solenoid
 *VEX1-17 1 pc. }
 VVEX4-2-6-A
 *VEX3420 5 pcs. } Air operated
 *VEX4-5 1 pc. }

Body size	Pilot type		Applicable valve	Valve stations		Port size			
						Port	1 (P)	3 (R)	2 (A)
2	1	Internal pilot	VEX3222 (Air operated: VEX3220 Note)	2	2	02	1/4		
		Common external pilot		6	6				
	2	8		8					
4	1	Internal pilot	VEX3422 (Air operated: VEX3420 Note)	2	2	A	3/8	1/4	
		Common external pilot		6	6	B	3/8		
	2	8		8	C	1/2	3/8		

VEX3 manifold (Size 2, 4) Pilot type

Manifold pilot type	Manifold part no.	Applicable valve part no.	Operating pressure range	Pilot pressure range
Air operated type	VVEX□-□-□-□	VEX3220/VEX3420	Low vacuum to 1.0 MPa	0.2 to 1.0 MPa
Internal pilot type	VVEX□-1-□-□	VEX3222/VEX3422	0.2 to 0.7 MPa	—
Common external pilot type	VVEX□-2-□-□	VEX3222/VEX3421/VEX3422	Low vacuum to 1.0 MPa	0.2 to 0.7 MPa
Individual external pilot type	VVEX□-□-□-□	VEX3221		

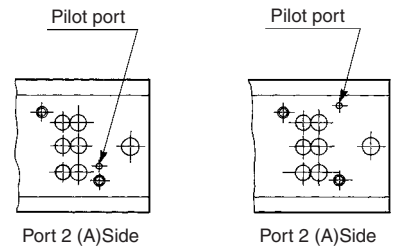
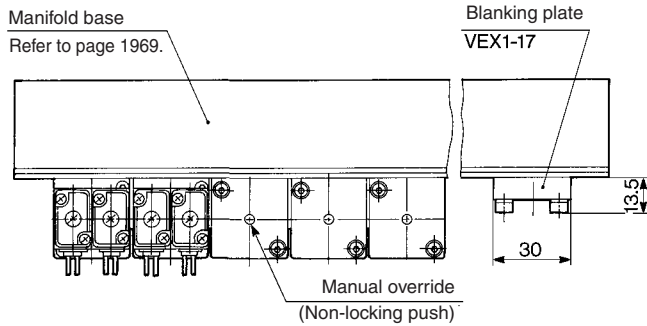
Note) If external pilot types are used, the common external pilot type is recommended.

Series VEX3

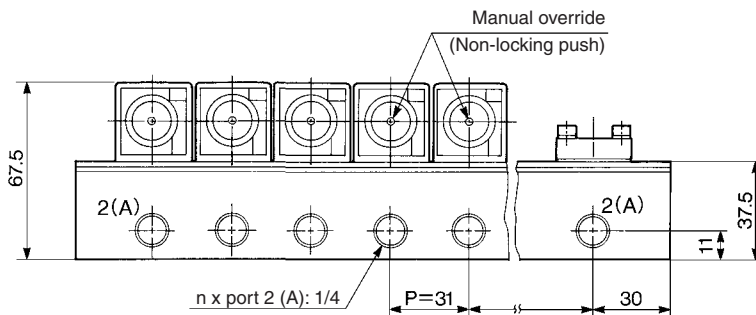
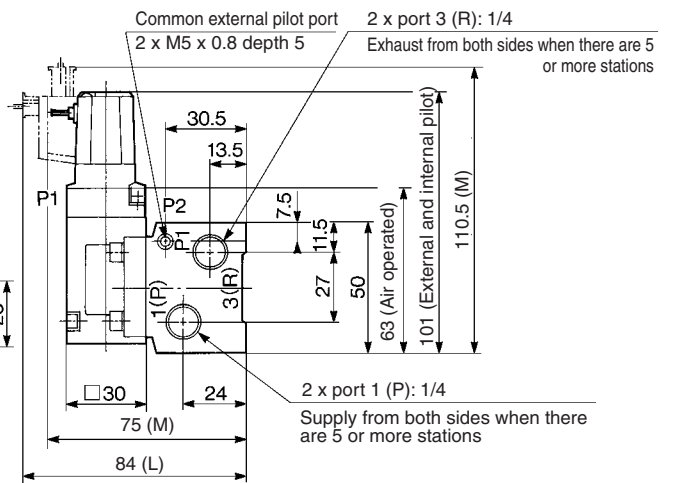
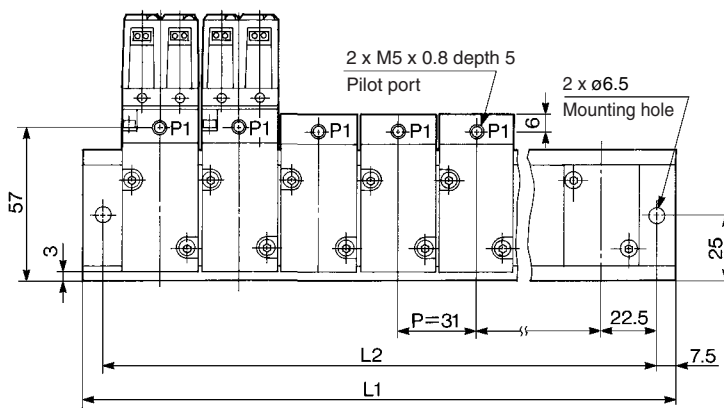
Manifold: VVEX2-□

VVEX2-1₂ Applicable valve: VEX3220/3222

Valve mounting side



Internal pilot type Common external pilot



L Dimension

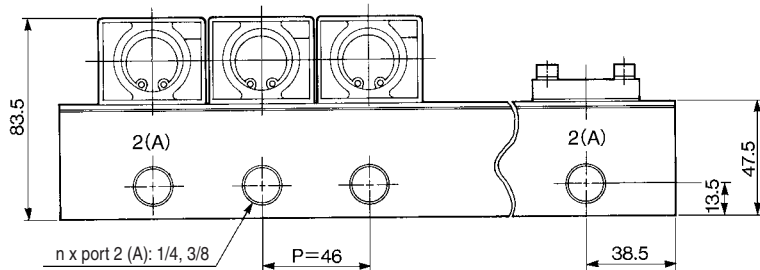
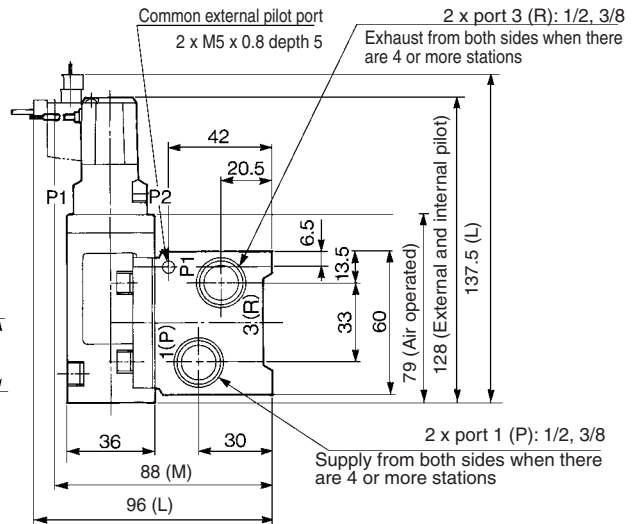
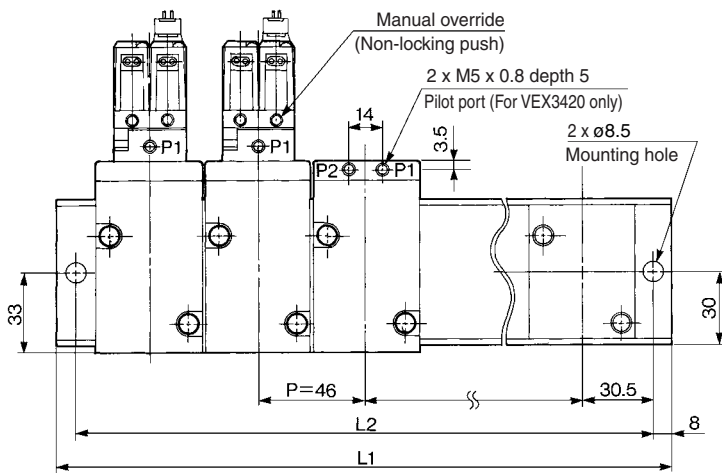
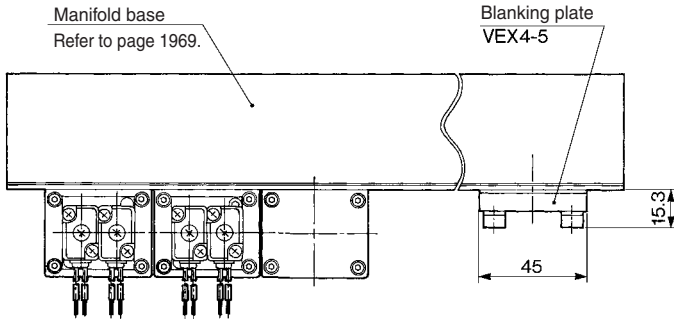
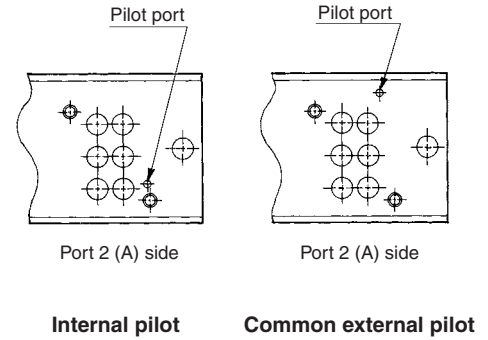
Formula $L_1 = 31n + 29$, $L_2 = 31n + 14$ n: Station

L \ n	2	3	4	5	6	7	8
L1	91	122	153	184	215	246	277
L2	76	107	138	169	200	231	262

Manifold: VVEX4-□

VVEX4-1 Applicable valve: VEX3420/3422
 VVEX4-2 Applicable valve: VEX3420/3422

Valve mounting side



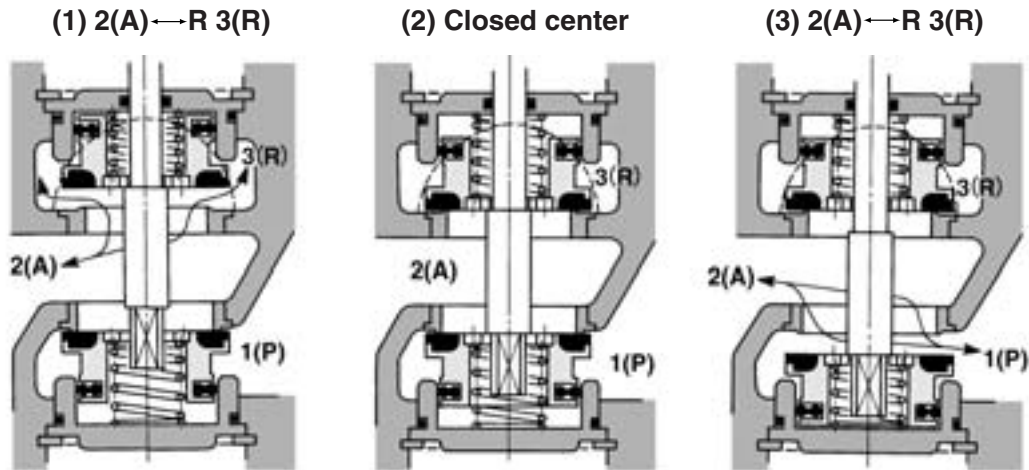
L Dimension $L_1 = 46n + 31$, $L_2 = 46n + 15$ n: Station

L	n	2	3	4	5	6
L1		123	169	215	261	307
L2		107	153	199	245	291



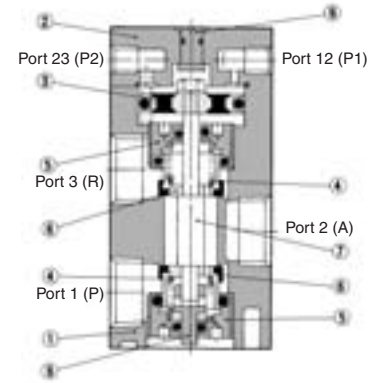
Series VEX3

Construction/Working Principle/Component Parts

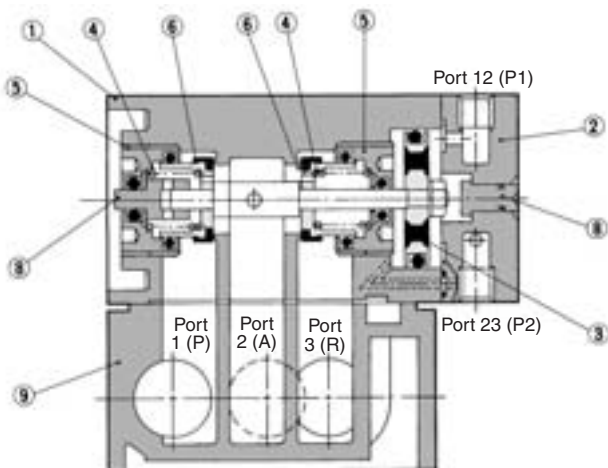


- This is a 3 port switch valve in which the shaft ⑦ - extending from the driving piston ③ opens/closes a pair of poppet valves ⑥. The poppet valve has a pressure balancing mechanism in which port 2 (A) pressure is constantly applied from the back and the center spring ④ is acting as a backup.
- When neither the pilot solenoid valve "a" nor "b" are energized (or when air is exhausted both from the port 12 (P1) and 23 (P2) of the air operated type), no force will act on the working piston, and the spring closes the poppet valve, thus the valve assumes the closed center position (DRW (2)).
- When the pilot solenoid valve "a" is energized (or when pressurized air enters through the port 12 (P1) of the air operated type), pilot air that enters the space above the working piston pushes down the piston and opens the lower poppet valve, thus connecting the port 1 (P) and port 2 (A) (DRW (3)). The upper poppet valve continues to close the port 3 (R) by means of pressure balance and the spring.
- When the pilot solenoid valve "b" is energized (or when pressurized air enters through the port 23 (P2) of the air operated type), the pilot air that enters the space under the working piston pushes the piston upward and opens the upper poppet valve, thus connecting the port 2 (A) and port 3 (R) (DRW (1)). The lower poppet valve continues to close the port 1 (P) by means of pressure balance and the spring.

VEX3120 (Air operated)



VEX3220 (Air operated)

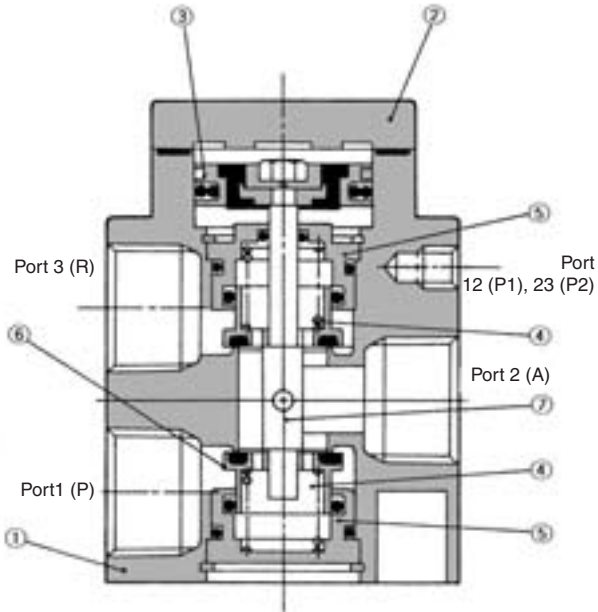


Component Parts

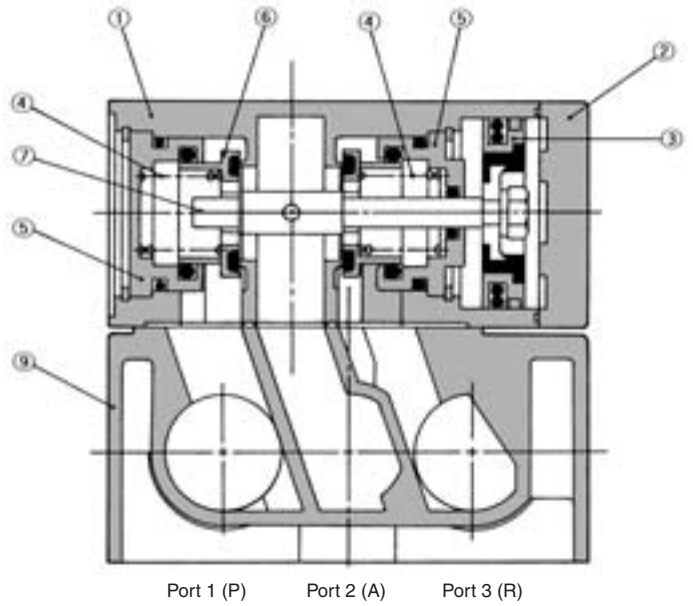
No.	Description	Material
1	Body	Aluminum alloy
2	Cover	Aluminum alloy
3	Working piston	Aluminum alloy
4	Center spring	Stainless steel
5	Valve guide	Aluminum alloy
6	Poppet valve	Aluminum alloy, Rubber
7	Shaft	Stainless steel
8	Manual override	POM
9	Sub-plate	Aluminum alloy

Construction/Working Principle/Component Parts

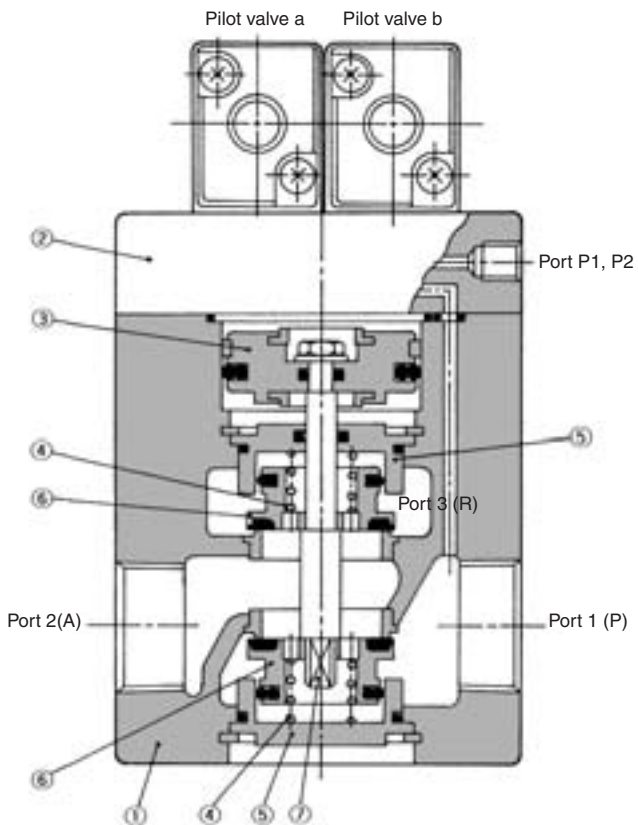
VEX3320 (Air operated)



VEX3420 (Air operated)



VEX350□/370□/390□ (Solenoid)



VEX



Series VEX3 Specific Product Precautions

Be sure to read before handling.
Refer to front mattes 58 and 59 for Safety Instructions.

Connectors for Series VEX3 Body Sizes 12, 22, 32 and 42

Plug Connector Lead Wire Length

⚠ Caution

The standard length of a plug connector with lead wire is 300 mm, but the following lengths are also available.

How to Order Connector Assembly

DXT170-80-□ A-□

Lead wire colors

Lead wire length

Symbol	Lead wire with socket	Note
Nil	Socket only (2 pcs.)	Without lead wire
1	Blue (2 pcs.)	For 100 VAC
2	Red (2 pcs.)	For 200 VAC
3	Gray (2 pcs.)	For other VAC
4	Red: +, Black: -	For DC

Symbol	Lead wire length (L mm)
Nil	300
6	600
10	1000
15	1500
20	2000
25	2500
30	3000

How to Order

Specify the connector assembly part number together with the part number for the plug connector's solenoid valve without connector.

<Example> Lead wire length 2,000 mm

VZ3220-5MO-M5 3 pcs.
DXT170-80-4A-20 6 pcs.

Connector Assembly with Cover

⚠ Caution

Connector assembly with protective cover enhances dust protection.

- Effective to prevent short circuit accidents due to penetration of foreign matter into the connector part.
- Cover material adopts the chloroprene rubber which is excellent in weather ability and electric insulation properties. However, use caution not to splash cutting oil, etc. onto it.
- Simple and unencumbered appearance by adopting a round-shaped cord.

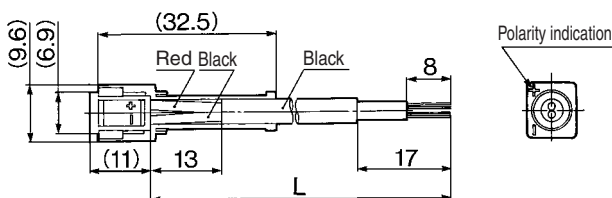
How to Order

DXT170-123-A-□

Lead wire length

Symbol	Lead wire length (L mm)
Nil	300
6	600
10	1000
15	1500
20	2000
25	2500
30	3000

Connector assembly with cover: Dimensions



How to Use DIN Connector

⚠ Caution

Wiring

- 1) Loosen the set screws and pull out connector from the terminal block of solenoid valve.
- 2) Pull out screws and insert a screwdriver to the slit area near the bottom of terminal block to separate the terminal block and housing.
- 3) Loosen the terminal screws (slotted screws) on the terminal block, insert the core of the lead wire into the terminal in accordance with the wiring method, and secure with the terminal screws.
- 4) Tighten the ground nut to secure the cord.

Change of electrical entry

After separating the terminal block and housing, the cord entry direction can be changed by attaching the housing in the desired direction (4 directions in 90° increments).

* When equipped with light, avoid damaging the light with lead wire.

Caution

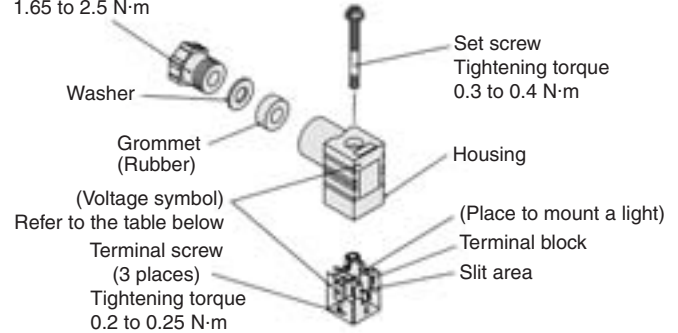
Plug a connector in or out vertically, never at an angle.

Applicable cables

Cord O.D.: $\phi 3.5$ to $\phi 7$

(Reference) 0.5 mm² 2-core and 3-core wires equivalent to JIS C 3306.

Ground nut
Tightening torque
1.65 to 2.5 N·m



DIN connector part no.

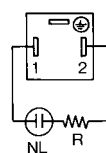
Without light	DXT170-176-1
---------------	--------------

With Light

Rated voltage	Voltage symbol	Part no.
100 VAC	100 V	DXT170-176-2-01
200 VAC	200 V	DXT170-176-2-02
110 VAC	110 V	DXT170-176-2-03
220 VAC	220 V	DXT170-176-2-04
240 VAC	240 V	DXT170-176-2-07
6 VDC	6 VD	DXT170-176-3-51
12 VDC	12 VD	DXT170-176-3-06
24 VDC	24 VD	DXT170-176-3-05
48 VDC	48 VD	DXT170-176-3-53

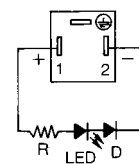
Connector with light circuit

AC circuit



NL: Neon light
R: Resistor

DC circuit



D: Protective diode
LED: LED diode
R: Resistor

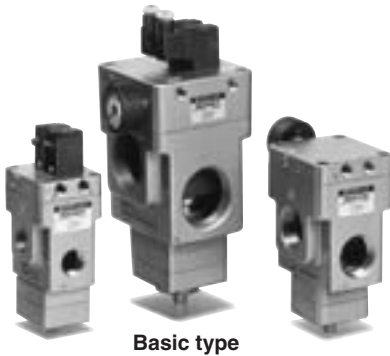
Power Valve: Economy Valve Series VEX5

Three functions (pressure regulator, switching valve, and speed controller) are provided by a single valve.

The conventional valve combination circuit has been condensed into a single valve.

A large capacity and economical system.

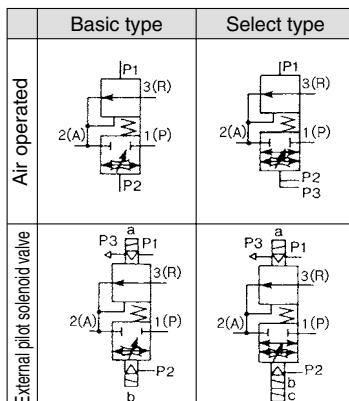
This valve provides twice the system capacity of the conventional circuit. Therefore, it is possible to downsize 1 or 2 sizes (for example, a conventional 32A circuit can be changed to a 25A or a 20A). It is economical, as its performance cost (system price/effective area) is one half of the conventional type. (Comparison based on SMC data.)



Basic type



Select type



Note) With this valve, the port 3(R) is a supply port and port 1(P) is an exhaust port.

Standard Specifications

Model	VEX55□□- ⁰⁴ / ₀₆ / ₁₀	VEX57□□- ¹⁰ / ₁₂	VEX59□□- ¹⁴ / ₂₀					
Operation type	Air operated, External pilot solenoid							
Fluid	Air							
Pressure range	0 to 1.0 MPa							
Set pressure range	0.05 to 0.9 MPa							
Ambient and fluid temperature	Max. 50°C (Air operated 60°C)							
Pilot pressure	P1: 0.05 to 0.9MPa P2: 0.2 to 0.9MPa (Air operated: P2, P3: 0.2 to 0.9 MPa P2 ≤ P3)							
Repeatability	0.01 MPa							
Sensitivity	0.01 MPa							
Response time	60 ms or less							
Max. operating frequency	3 cycles/sec.							
Number of needle rotations	6 turns	8 turns						
Mounting	Free							
Lubrication	Not required (Use turbine oil Class 1 ISO VG32, if lubricated.)							
Port size	Port	04	06	10	10	12	14	20
	1 (P)				1	1 1/4	1 1/4	2
	2 (A) 3 (R)	1/2	3/4	1	1 1/4	1 1/4	2	2
Effective area	mm ²	130	160	180	300	330	590	670
	Cv	7.2	8.9	10	17	18	33	37
Mass (kg)	Air operated	Basic type	2.0		3.2		4.7	
		Select type	2.3		3.5		5.0	
	Solenoid	Basic type	2.2		3.5		4.9	
		Select type	2.6		3.8		5.3	

Note) Non-lubricated specifications are not available for this product.

Pilot Solenoid Valve Specifications

Model	VEX5511/5711/5911/5501/5701/5901		
Pilot valve	SF4-□□□-20		
Electrical entry	Grommet (G), Grommet terminal (E), Conduit terminal (T), DIN terminal (D)		
Coil rated voltage (V)	AC (50/60Hz)	100 V, 200 V, Other (Option)	
	DC	24 V, Other (Option)	
Allowable voltage	-15 to +10% of rated voltage		
Apparent power	AC	Inrush	5.6 VA (50Hz), 5.0 VA (60Hz)
		Holding	3.4 VA (50Hz), 2.3 VA (60Hz)
Power consumption	DC	1.8 W (Without indicator light), 2 W (With indicator light)	
Manual override	Non-locking push type		

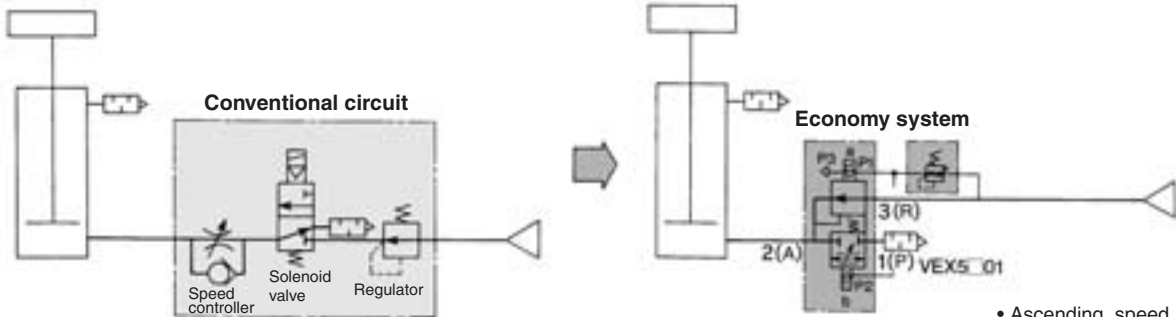
Accessory/Part No.

Description	Model	Part no.		
		VEX55□□- ⁰⁴ / ₀₆ / ₁₀	VEX57□□- ¹⁰ / ₁₂	VEX59□□- ¹⁴ / ₂₀
Bracket (With bolt and washer)		VEX5-32A	VEX7-32A	VEX9-32A
Pressure gauge		G46-10-01		

Series VEX5

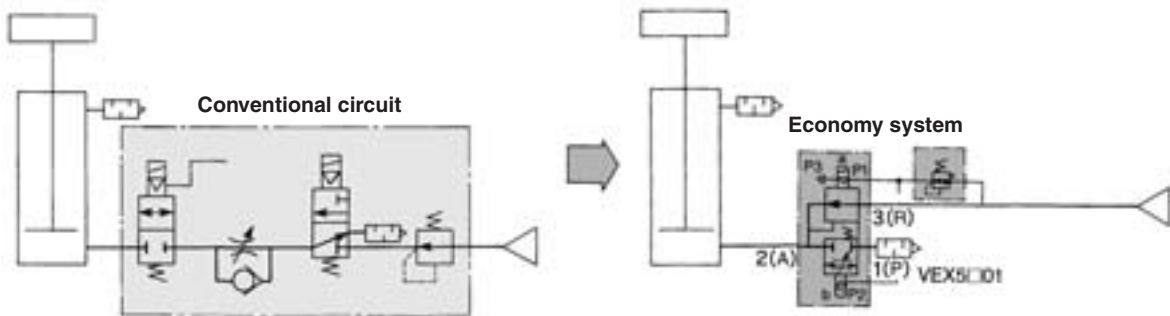
Applicable System/Example of Single Acting Circuit (The valves can be used also for double acting circuits, too. Please consult with SMC for details.)

1. Speed control

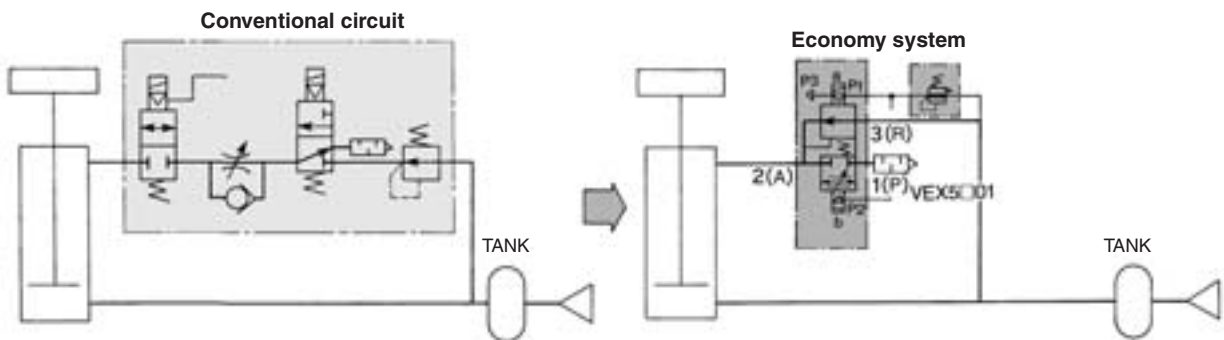


- Ascending speed is controlled by a pilot regulator.
- Descending speed is controlled by needle setting.

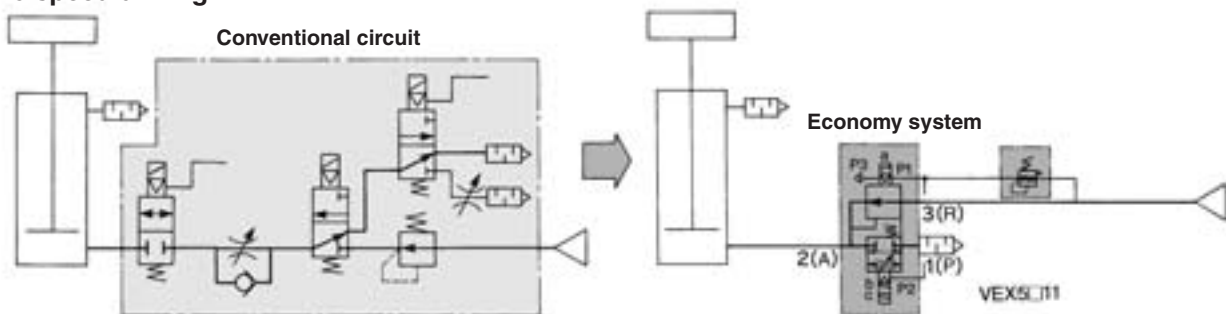
2. Intermediate (emergency) stop



3. Double pressure driving...Energy-saving lifter (Air saving counter balance)



4. Two speed driving



Energy-saving Lifter

• Simple

Two economy valves and a tank move the double-acting cylinder to raise and lower heavy objects.

• Energy-saving

The balancing air reciprocates between the lower cylinder chamber and the tank, thus not being consumed. Low pressure air alone is exhausted from the upper chamber in every cycle, so the air consumption is reduced to 20 to 30% of the air consumption by the double acting cylinder with an ordinary change over valve.

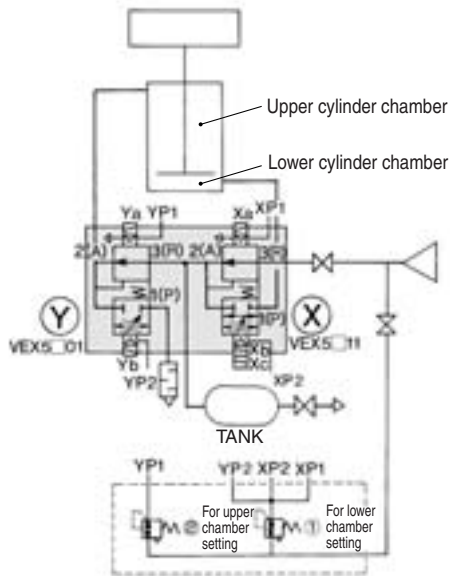
• Excellent operation control

The economy valve sets pressure and permits high speed and low speed operation as well as suspension of operation. While the piston moves up and down, the valve controls speed change in the middle of strokes, terminal deceleration, inching, and emergency stops.

• Simple operation

The pilot system is composed of a small regulator and solenoid valve (which is unnecessary for solenoid style), remote controls the economy valve. Therefore, change in the pilot system sequence allows selection of a cylinder operation mode. Change in the large capacity main piping system is not necessary.

<System configuration and operation of circuit in which external pilot solenoid is used>



The two economy valves (hereinafter called VEX) (X) and (Y) and a tank composes a main system that drives the double acting cylinder, and the small regulator (hereinafter called REG) and pilot valve (hereinafter called SOL) remote control the economy valve.

Action

		SOL					
Cylinder		Xa	Xb	Xc	Yb	Ya	Mode
Upward	High speed	ON	●	OFF	●	—	a
	Low speed	●	●	●	●	—	b
Downward	High speed	—	●	—	—	●	c
	Low speed	—	●	●	—	●	d
Stop		—	—	—	—	—	e

- a: The air in the upper cylinder chamber is exhausted from the port 1 (P) of VEX (Y), and the air in the tank flows in through the port 1 (P) of VEX (X).
- b: Air flows into the lower cylinder chamber through a throttled opening, set by a needle, from the port 2 (A) to 1 (p) of VEX (X).
- c: The air in the tank flows into the upper cylinder chamber at a preset low pressure from the port 2 (A) of VEX (Y), while the air in the lower cylinder chamber returns to the tank through VEX (X).
- d: Air returns to the tank through a throttled opening from the port 1 (P) to 2 (A) of VEX (X).
- e: The air in the lower cylinder chamber is blocked at the port 1 (P) of VEX (X), while the air in the upper cylinder chamber is blocked at the port 2 (A) of VEX (Y).

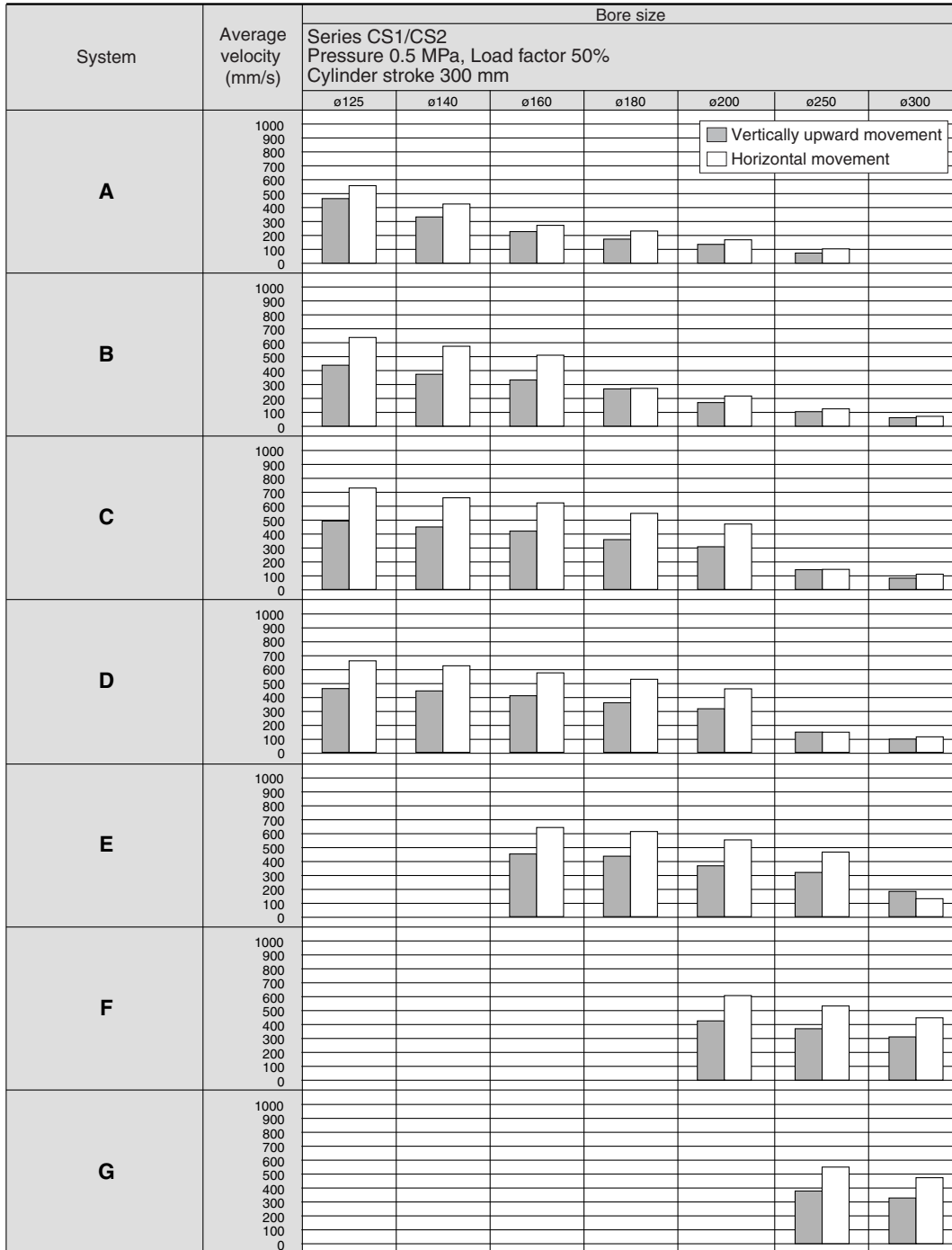
⚠ Caution

A lifter circuit can be composed of air operated valves. Please contact SMC for details.

Series VEX5

Cylinder Speed Chart

Please assume the chart is offered as the guideline. For details about various each condition, please make use of SMC Model Selection Software and then decide it.



* When the cylinder is extended, the speed controller is metered-out, is connected with the cylinder directly, and its needle is fully open.

* Values on the average velocity of a cylinder are obtained from the stroke length divided by full stroke time.

* Load proportion is $((\text{load weight} \times 9.8) / \text{theoretical force}) \times 100\%$

Conditions of Speed Chart

System	Solenoid valve	Speed controller	Silencer	Tubing diameter x Length
A	VEX55□□-04 -06 -10	AS420-04	AN400-04	SGP15A x 1 m
B		AS500-06	AN500-06	SGP20A x 1 m
C		AS600-10	AN600-10	SGP25A x 1 m
D	VEX57□□-10 -12	AS600-10	AN600-10	SGP25A x 1 m
E		AS800-12	AN700-12	SGP32A x 1 m
F	VEX59□□-14 -20	AS900-14	AN800-14	SGP40A x 1 m
G		AS900-20	AN900-20	SGP50A x 1 m

How to Order

VEX5 5 1 1 - 06 [] 2 E Z - B

Economy valve

Type

0	Basic
1	Select

Operation type

0	Air operated
1	External pilot solenoid

Body size **Port size**

Body size	Port size		
	port 1(P), 2(A)	port 3(R)	
5	04	1/2	1/2
	06	3/4	3/4
	10	1	1
7	10	1	1 1/4
	12	1 1/4	
9	14	1 1/4	2
	20	2	

Option

Nil	None
B	Bracket
G	Pressure gauge

Light/Surge voltage suppressor (Only with solenoid)

Nil	None
S	With surge voltage suppressor (Grommet only)
Z	With light/surge voltage suppressor (Except grommet)

Electrical entry (Only with solenoid)

G	Grommet, Lead wire length 300 mm
H	Grommet, Lead wire length 600 mm
E	Grommet terminal
T	Conduit terminal
D	DIN terminal

Rated voltage (Only with solenoid)

1	100 VAC 50/60 Hz
2	200 VAC 50/60 Hz
3*	110 VAC 50/60 Hz
4*	220 VAC 50/60 Hz
5	24 VDC
6*	12 VDC
7*	240 VAC 50/60 Hz
9*	Other

* Option

Thread type

Nil	Rc
F	G
N	NPT
T	NPTF

How to order pilot valves

SF4 - [] [] [] - 20

Light/Surge voltage suppressor

Electrical entry

Rated voltage

(Ex.) SF4-1G-20
100 VAC, Grommet

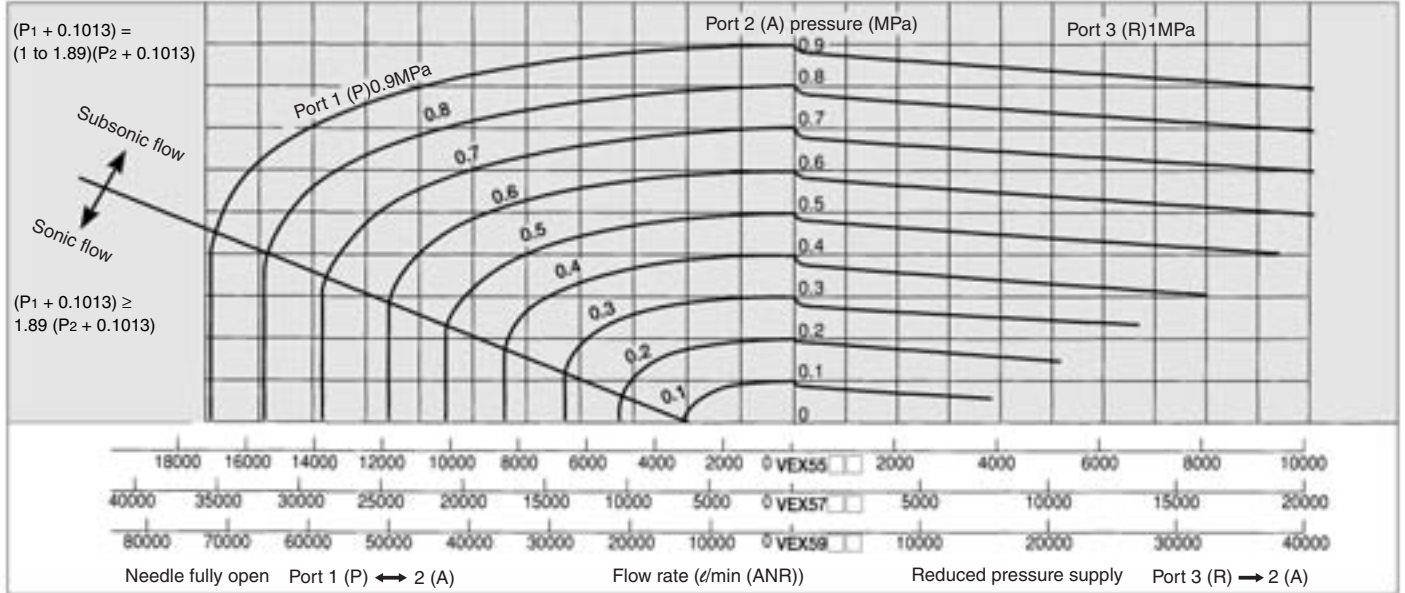
(Ex.)
VEX5511-062EZ-BG
Body size 5, Select, External pilot solenoid
Port size 3/4
200 VAC, Grommet terminal, with light/surge voltage suppressor
Option...Bracket, with pressure gauge

Model

Model	Basic type		Select type		Port size	
	Air operated	External pilot solenoid	Air operated	External pilot solenoid	Port 1 (P), 2 (A)	Port 3 (R)
Economy valve	VEX5500	VEX5501	VEX5510	VEX5511	1/2, 3/4, 1	1/2, 3/4, 1
	VEX5700	VEX5701	VEX5710	VEX5711	1, 1 1/4	1 1/4
	VEX5900	VEX5901	VEX5910	VEX5911	1 1/2, 2	2

Series VEX5

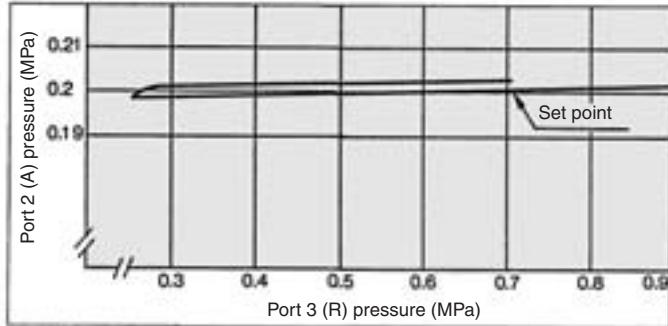
Flow Characteristics



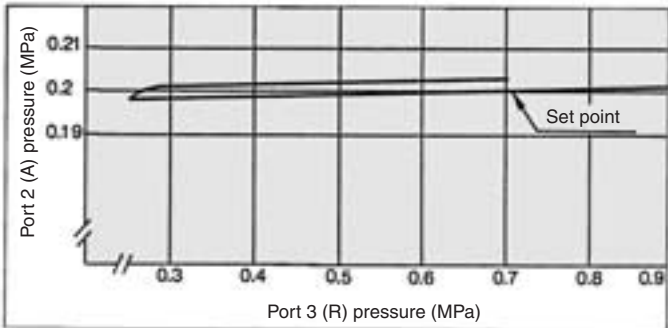
Pressure Characteristics

Shows the outlet pressure (port 3 (R)) change against the inlet pressure (port 2 (A)) change. They conform to JIS B 8372 (Air pressure regulator).

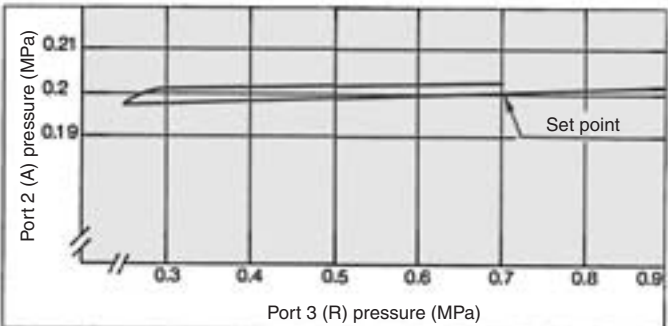
VEX55 □ □



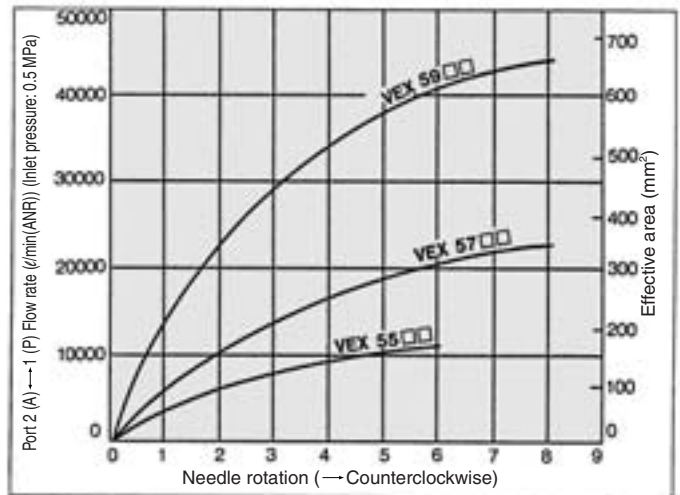
VEX57 □ □



VEX59 □ □

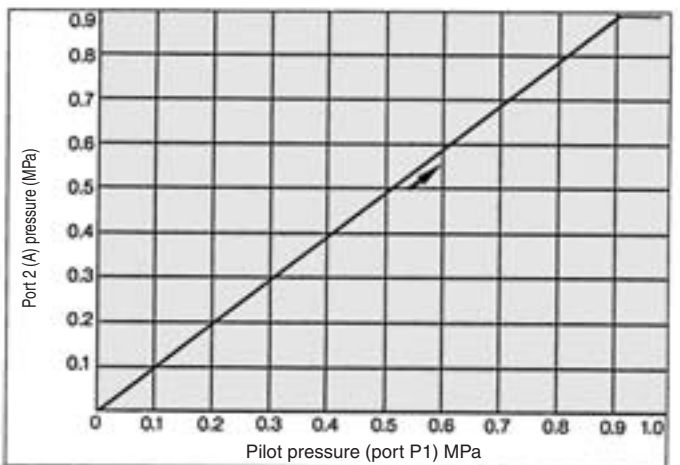


Needle Characteristics Port 2 (A) ← 1 (P)



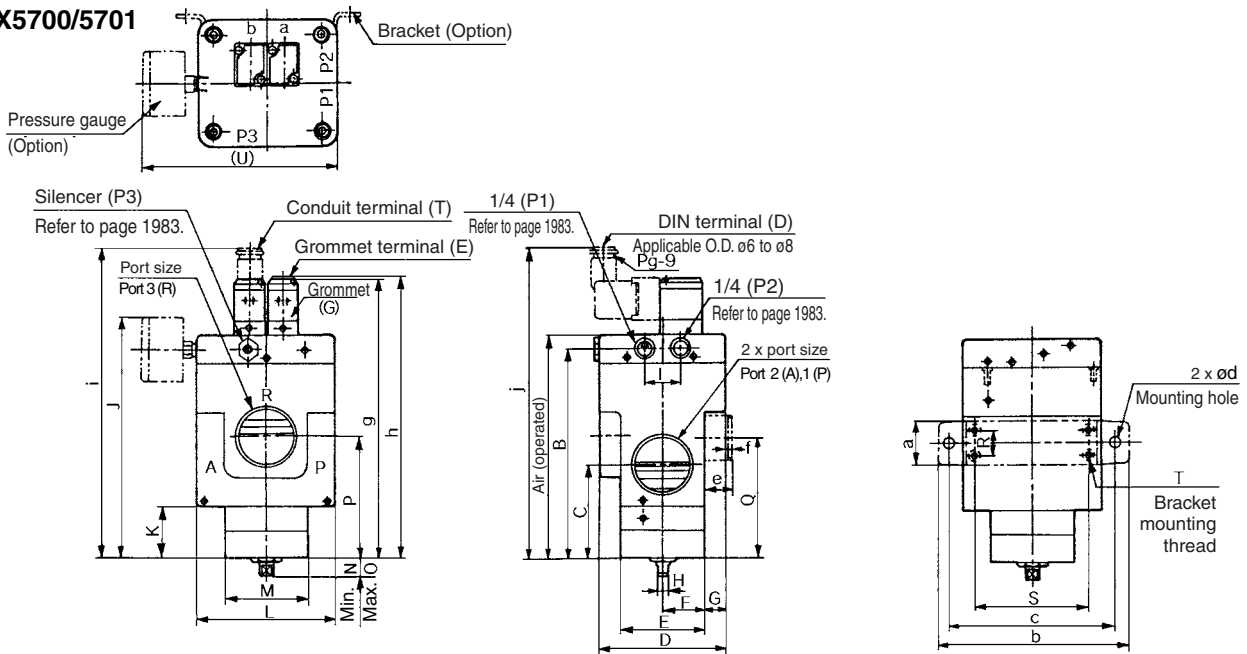
Setting Pressure Characteristics

Port 2 (A) pressure is set according to pilot pressure. (port 3 (R) → 2 (A): Non-relief regulator)



Basic Type/Dimensions

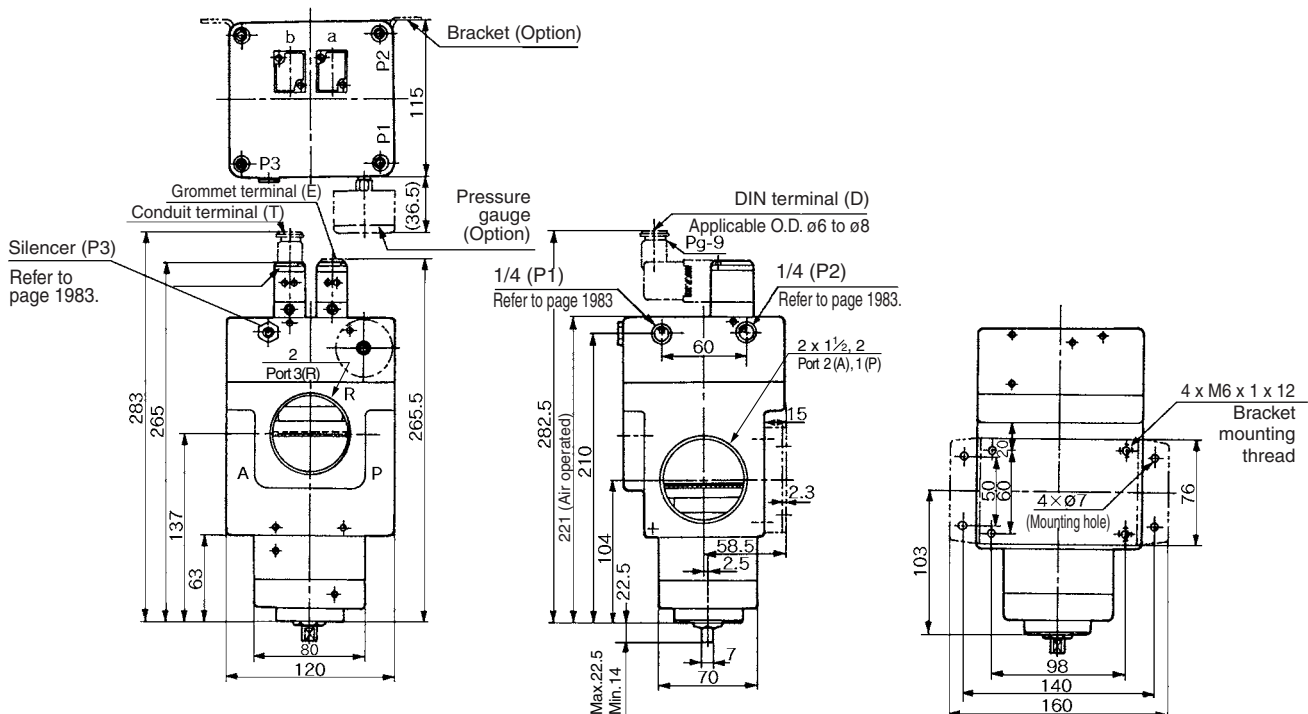
VEX5500/5501
VEX5700/5701



Model	Port size		A	B	C	D	E	F	G	H	I	J	K	L	M	N	O	P	Q	R	S	T	U
	Port 2 (A), 1 (P)	Port 3 (R)																					
VEX5500 VEX5501	1/2, 3/4, 1	1/2, 3/4, 1	143.5	133.5	62.5	70	50	25	10	7	25	156.5	36.5	80	60	16.5	20	81.5	83.5	Center	60	2 x M6 x 1 x depth 9	116.5
VEX5700 VEX5701	1, 1 1/4	1 1/4	160.5	150.5	62.5	90	60	30	15	7	25	173.5	37.5	100	60	13	17	88.5	86.5	18	82	2 x M6 x 1 x depth 6	136.5

Model	Bracket mounting dimensions						Grommet	Grommet terminal	Conduit terminal	DIN terminal
	a	b	c	d	e	f	g	h	i	j
VEX5500 VEX5501	19	130	110	9	12	2.3	187	187.5	205.5	205
VEX5700 VEX5701	32	136	120	9	20	2.3	204	204.5	222.5	222

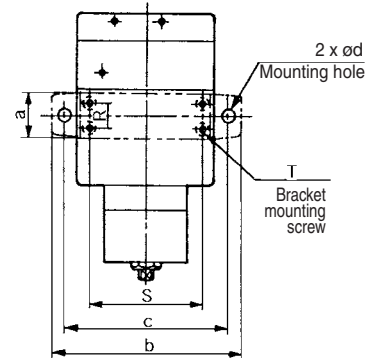
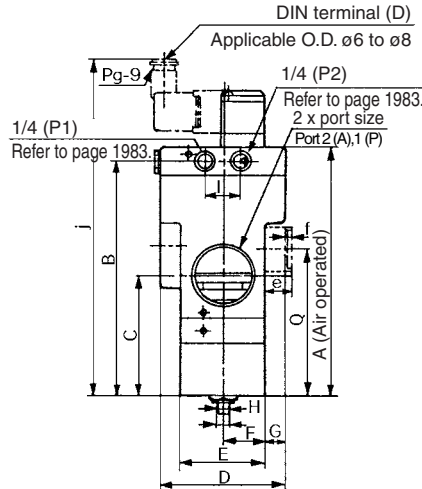
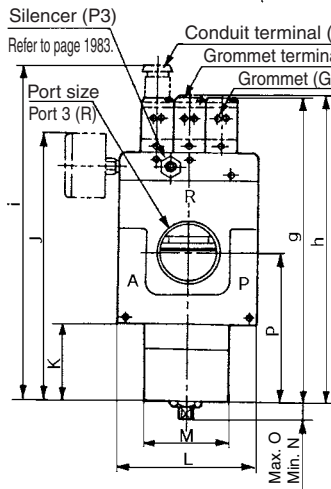
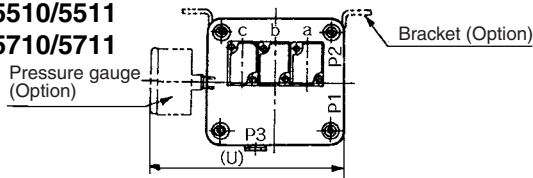
VEX5900/5901



Series VEX5

Select Type/Dimensions

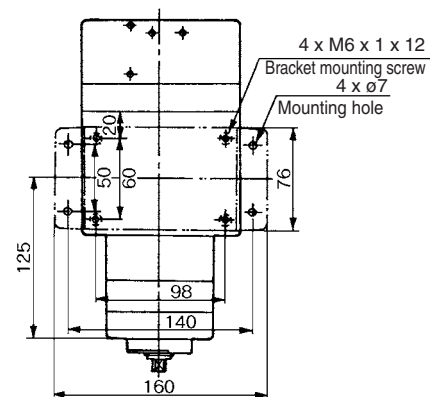
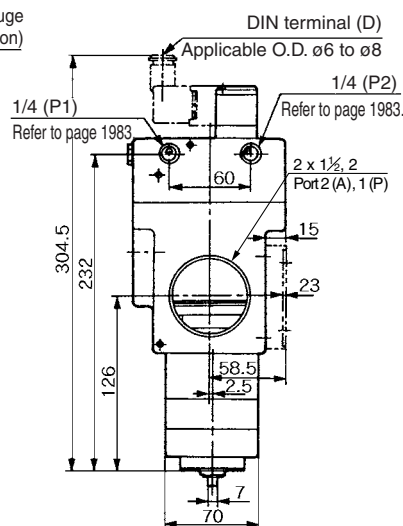
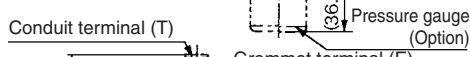
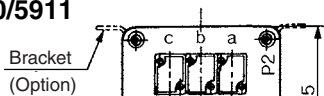
VEX5510/5511
VEX5710/5711



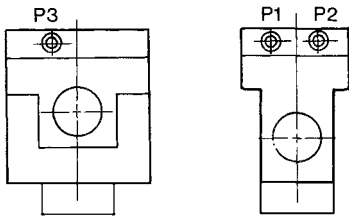
Model	Port size		A	B	C	D	E	F	G	H	I	J	K	L	M	N	O	P	Q	R	S	T	U
	Port 2 (A), 1 (P)	Port 3 (R)																					
VEX5510 VEX5511	1/2, 3/4, 1	1/2, 3/4, 1	160	150	79	70	50	25	10	7	25	173	53	80	60	13	18	98	100	Center	60	2 x M6 x 1 x depth 9	116.5
VEX5710 VEX5711	1, 1 1/4	1 1/4	177.5	167.5	84.5	90	60	30	15	7	25	190.5	54.5	100	60	13	17	105.5	103.5	18	82	4 x M6 x 1 x depth 6	136.5

Model	Bracket mounting dimensions						Grommet	Grommet terminal	Conduit terminal	DIN terminal
	a	b	c	d	e	f				
VEX5510 VEX5511	19	130	110	9	12	2.3	204	204.5	222	221.5
VEX5710 VEX5711	32	136	120	9	20	2.3	221	221.5	239.5	239

VEX5910/5911



External Pilot Piping



Port 3 (R) side

Port 1 (P) side

⚠ Caution

Refer to front matters 58 and 59 for Safety Instructions and pages 3 to 7 for 3/4/5 Port Solenoid Valve Precautions.

Model	P1	P2	P3
VEX5□00	External pilot	External pilot	Plug
VEX5□01	External pilot	External pilot	Pilot ^{Note)} exhaust
VEX5□10	External pilot	External pilot	External pilot
VEX5□11	External pilot	External pilot	Pilot ^{Note)} exhaust

Note) For pilot exhaust port, silencer AN210-02 is mounted.

Related Products:

Silencer (Series AN)

- Over 30 dB noise reduction
- Sufficient effective area



Model	Connection R	Effective area mm ²
AN110	1/8	35
AN200	1/4	35
AN300	3/8	60
AN400	1/2	90
AN500	3/4	160
AN600	1	270
AN700	1 1/4	440
AN800	1 1/2	590
AN900	2	960

Refer to page Best Pneumatics No. 6 for details.

Exhaust Cleaner (Series AMC)

- Provides a silencing capability and an oil mist recovery function.
- Can also be used in a centralized piping system.



Model	Connection R	Effective area mm ²	Max. air flow ℓ/min
AMC310	3/8	16	300
AMC510	3/4	55	1,000
AMC610	1	165	3,000
AMC810	1 1/2	330	6,000
AMC910	2	550	10,000

- 99.9% of oil mist removal.
- Over 35 dB noise reduction.



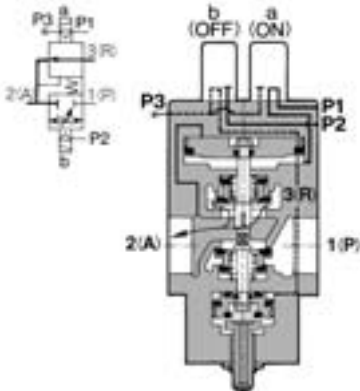
Refer to page Best Pneumatics No. 6 for details.

Series VEX5

Basic Type/Construction/Working Principle/Component Parts

Note) With this valve, the port 3 (R) is a supply port and port 1 (P) is an exhaust port.

1. 3 (R) → 2 (A) Reduced pressure supply

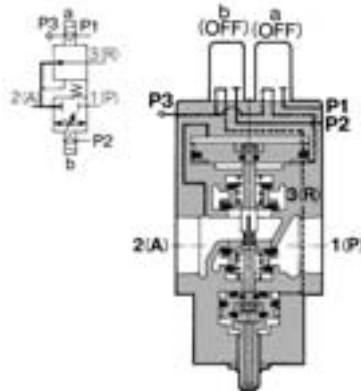


When the pilot solenoid valve "a" is energized (or when pilot pressure is applied to the port P1 of the air operated type) while the port P1 is under the pilot pressure, reduced pressure is supplied from the port 3 (R) to the port 2 (A). The acting force of the pilot pressure (port P1) reaches the space under the pressure control piston ③ pushes the piston upward and opens the poppet valve ⑥. Thus air is supplied from the port 3 (R) to the port 2 (A).

The air entering through the port 2 (A) flows through the feedback passage to the space above the piston, and when its pressure balances with the pilot pressure under the pressure control piston, the poppet valve closes, thus setting the port 2 (A) pressure corresponding to the pilot pressure (port P1).

(port P1 pressure: port 2 (A) pressure = 1:1)
When the reduced pressure is supplied from 3 (R) to 2 (A), air will not be exhausted from 2 (A) to 1 (P) even when the pilot pressure (port P1) is larger than the port 2 (A) pressure.

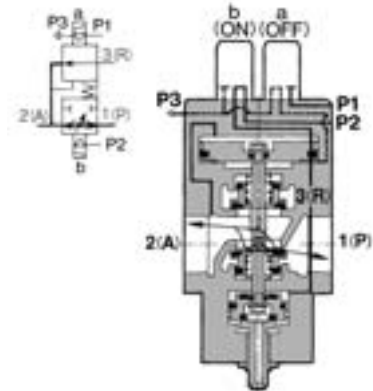
2. Closed center



When neither the pilot solenoid valves "a" or "b" is energized (or when no pilot pressure is applied to the ports P1 and P2 of the air operated type), no acting force is applied to the pressure control piston ③ and operation piston ④, and the spring ④ closes both poppet valves ⑥, thus the valves assume the closed center position.

While the port 2 (A) is being pressurized, air will not be released even if electrical power to the pilot solenoid valve "a" is turned off (or pilot pressure is released from the port P1 of the air operated type).

3. 2 (A) ↔ 1 (P) Throttled exhaust

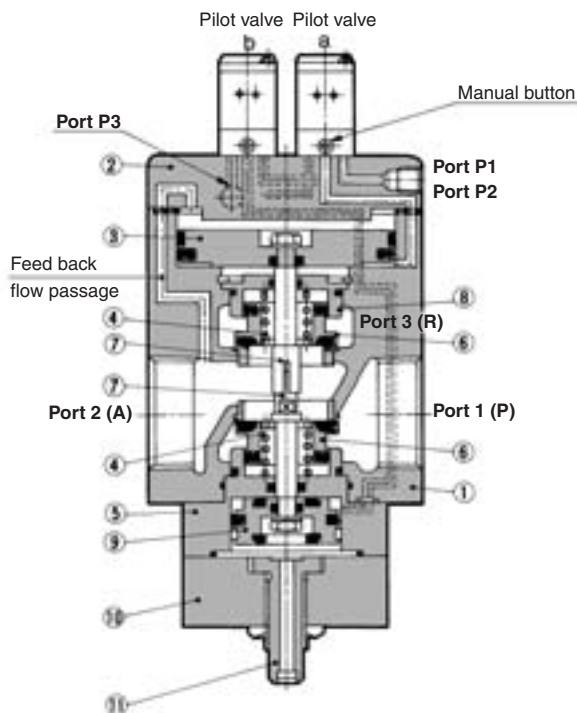


When the pilot solenoid valve "b" is energized while pilot pressure is in the port P2 (or when the pilot pressure is applied to the port P2 of the air operated type), an acting force generated above the operation piston ④ pushes the operation piston down, and thus the port 1 (P) and port 2 (A) are connected.

At that time, the lower poppet valve ⑥ opens by the degree preset by the needle ⑪. (Counterclockwise rotation of the needle opens the poppet valve.)

The upper and lower poppet valves operate independently. When the pilot solenoid valves "a" and "b" are energized alternately (or when pilot pressure is applied to the ports P1 and P2 of the air operated style alternately), the supplied reduced pressure (3 (R) → 2 (A)) can be throttled and exhausted (2 (A) → 1 (P)).

Construction



(Basic type: External pilot solenoid)

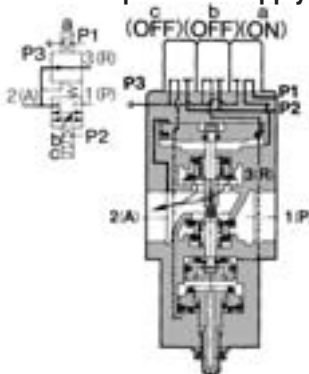
Component Parts

No.	Description	Material
1	Body	Aluminum alloy casted
2	Cover	Aluminum alloy casted
3	Pressure control piston	Aluminum alloy
4	Spring	Stainless steel
5	Chamber	Aluminum alloy
6	Poppet valve	NBR
7	Rod	Stainless steel
8	Valve guide	Aluminum alloy
9	Operation piston	Aluminum alloy
10	Bottom cover	Aluminum alloy
11	Needle	Brass

Select Type/Construction/Working Principle/Component Parts

Note) With this valve, the port 3 (R) is a supply port and port 1 (P) is an exhaust port.

1. 3 (R) → 2 (A)
Reduced pressure supply



When the pilot solenoid valve "a" is energized (or when pilot pressure is applied to the port P1 of the air operated type) while the port P1 is under the pilot pressure, reduced pressure is supplied from the port 3 (R) to the port 2 (A).

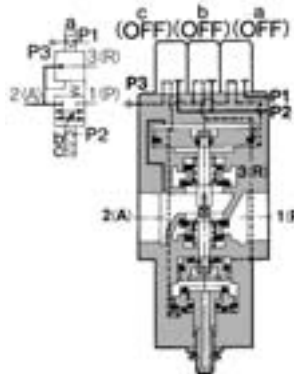
The acting force of the pilot pressure (port P1) reaches the space under the pressure control piston ③ and operation piston ⑨. The acting force of the pilot pressure (port P1) reaches the space under the pressure control piston ③ and pushes the piston upward and opens the poppet valve ⑥. Thus air is supplied from the port 3 (R) to the port 2 (A).

The air entering through the port 2 (A) flows through the feedback passage to the space above the piston and when its pressure balances with the pilot pressure under the pressure control piston, the poppet valve closes, thus setting the port 2 (A) pressure corresponding to the pilot pressure (port P1).

(port P1 pressure: port 2 (A) pressure = 1:1)

When the reduced pressure is supplied from 3 (R) to 2 (A), air will not be exhausted from 2 (A) to 1 (P) even when the pilot pressure (port P1) is larger than the port 2 (A) pressure.

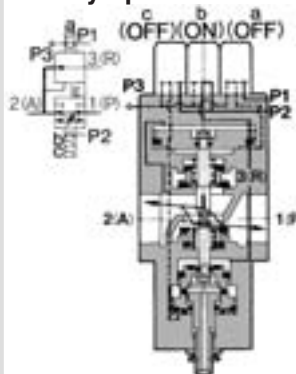
2. Closed center



When neither the pilot solenoid valve "a" nor "b" is energized (or when no pilot pressure is applied to the ports P1 and P2 of the air operated type), no acting force is applied to the pressure control piston ③ and operation piston ⑨, and the spring ④ closes both poppet valves ⑥, thus the valve assumes the closed center position.

While the port 2 (A) is being pressurized, air will not be released even if electrical power to the pilot solenoid valve "a" is turned off (or pilot pressure is released from the port P1 of the air operated type).

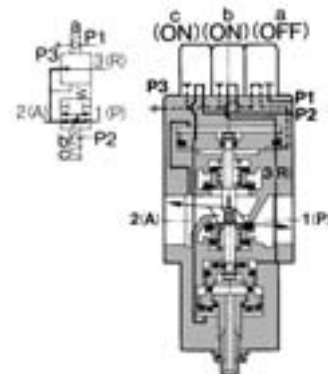
3. 2 (A) ↔ 1 (P)
Fully open exhaust



When the pilot solenoid valve "b" is energized while pilot pressure is in the port P2 (or when the pilot pressure is applied to the port P2 of the air operated type), an acting force generated above the operation piston ⑨, and pushes down the operation piston, and thus the ports 1 (P) and 2 (A) are connected.

At that time, the lower poppet valve ⑥ fully opens.

4. 2 (A) ↔ 1 (P)
Throttled exhaust



When the pilot solenoid valves "b" and "c" are energized simultaneously while pilot pressure is in the port P2 (or when the pilot pressure is applied simultaneously to the ports P2 and P3 of the air operated type), an acting force generated above the operation piston ⑨ pushes the piston down and another acting force generated under the stopper ⑪ pushes up the stopper, and thus the ports 1 (P) and 2 (A) are connected.

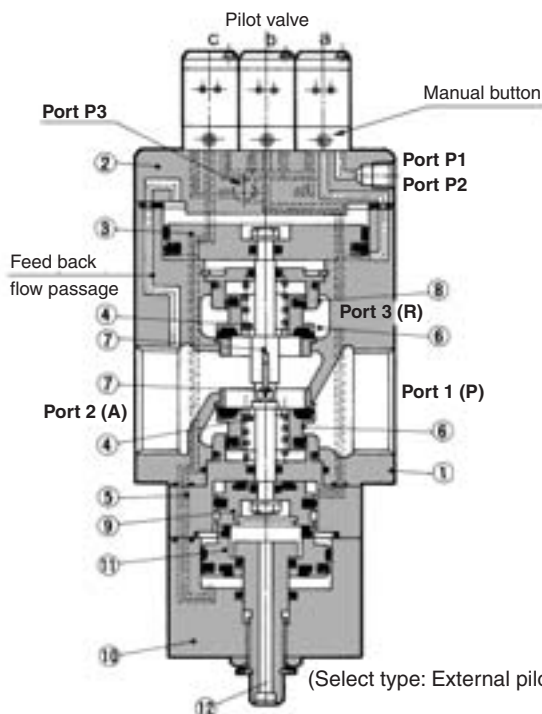
At that time, the lower poppet valve ⑥ opens by the degree preset by the needle ⑫.

The upper and lower poppet valves operate independently. When the pilot solenoid valves "a" and "b" are energized alternately (or when pilot pressure is applied alternately to the ports P1 and P2 of the air operated type), the supplied reduced pressure (3 (R) → 2 (A)) can be throttled and exhausted (2 (A) → 1 (P)).

* The pilot solenoid valve "c" remains energized (or pilot pressure remains applied to the port P3 of the air operated type).

By turning on/off the pilot solenoid valve "c" (or by supplying/exhausting pilot pressure to/from the port P3 of the air operated type) while electric power is being supplied to the pilot solenoid valve "b" (or pilot pressure is being applied to the port P2 of the air operated type), either throttling or fully open exhaust can be selected (deceleration/ acceleration) for the port 2 (A) ↔ 1 (P).

Construction



(Select type: External pilot solenoid)

Component Parts

No.	Description	Material
1	Body	Aluminum alloy casted
2	Cover	Aluminum alloy casted
3	Pressure control piston	Aluminum alloy
4	Spring	Stainless steel
5	Chamber	Aluminum alloy
6	Poppet valve	NBR
7	Rod	Stainless steel
8	Valve guide	Aluminum alloy
9	Operation piston	Aluminum alloy
10	Bottom cover	Aluminum alloy
11	Stopper	Aluminum alloy
12	Needle	Brass

VEX